



FIXTURE TYPE: _____

PROJECT NAME: _____



GENERAL INFORMATION:

The WASAT Bollard by Bullard Outdoor blends a distinctive sculptural design with reliable outdoor performance. Its smooth, rounded head and tapered body create a refined aesthetic ideal for modern landscapes, walkways, and architectural exteriors. Constructed from die-cast aluminum with a powder-coated finish, it offers long-term durability and corrosion resistance. Equipped with efficient LED lighting and a PMMA lens, the WASAT provides soft, focused illumination with a CRI of 80. Designed to operate on 110–277V, it features IP65 weather protection and IK05 impact resistance. Available in sanded bronze, dark gray, and black finishes.

FIXTURE TYPE:

Bollard

LIGHTING

LED

LED

VOLTAGE:

110-277V

110-277V

MATERIAL:

Die-casting powder coated aluminum

LENS:

PMMA

CRI:

80

IP RATING:

IP 65

IP65

IK RATING:

IK 05

FINISHING:

Sanded Bronze
Sanded Dark Gray
Sanded Black

BUILT FOR THE STORM

sales@gordonbullard.com

www.bullardoutdoor.com

1-877-964-4646



991 South Gull Lake Dr

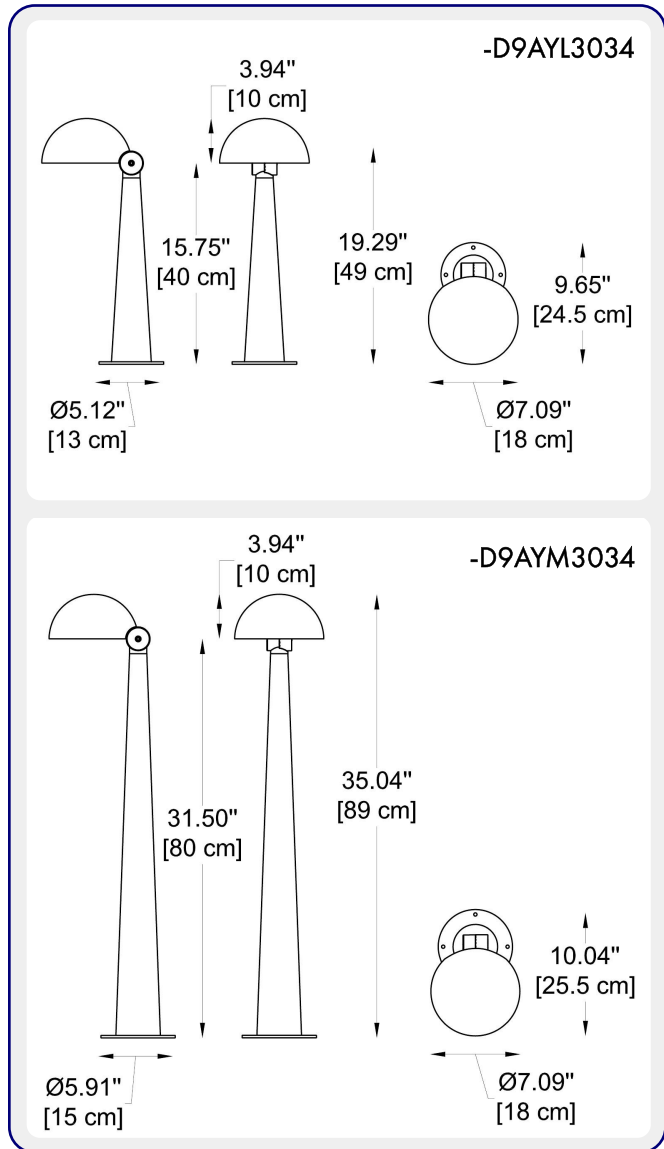
Richland, MI 49083

USA

FIXTURE TYPE: _____

PROJECT NAME: _____

NOTES:



HOW TO ORDER:

CODE:

Example:
CODE: BO-WST-KPG-BL-XXX-XXX-XXX-XXX-XXX

BO-WST-KPG-BL-
D9DYL3034-K30-
KAP7008-DIM-IB

1

MODELS:

CODE -D9DYL3034

DIMENSIONS:

Height - H: 19.29" (49 cm)
Base plate - Ø: 5.12" (13 cm)

LIGHT SOURCE:

LED / 18.5W / 90 mA / 2054 lm / 110-277V

CODE -D9DYM3034

DIMENSIONS:

Height - H: 35.04" (89 cm)
Base plate - Ø: 5.91" (15 cm)

LIGHT SOURCE:

LED / 19.5W / 90 mA / 2054 lm / 110-277V

2

CCT OPTIONS:

-K30 3000K
-CUS Custom on request*

3

FINISH OPTIONS:

-KAP7008 Sanded Bronze
-KAP7037 Sanded Dark Gray
-RAL9005 Sanded Black

4

DIMMING OPTIONS:

-DIM 1-10V
-PWM Pulse Width Modulation
-DALI DALI (Digital Addressable Lighting Interface)

5

INSTALLATION TYPE:

-SB Screw Base (included)
-IB Inground Base (optional)
-GAB Ground Anchor Base (optional)



sales@gordonbullard.com
www.bullardoutdoor.com
1-877-964-4646



991 South Gull Lake Dr
Richland, MI 49083
USA

FIXTURE TYPE: _____

PROJECT NAME: _____

NOTES:



LED   **IP65**

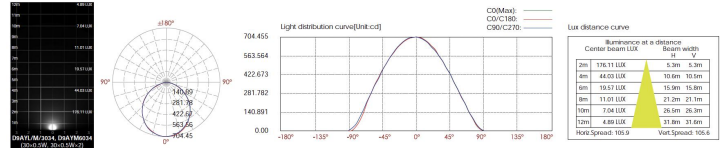
HOW TO ORDER:

CODE:

Example:
 CODE: BO-WST-KPG-BL-XXX-XXX-XXX-XXX-XXX

BO-WST-KPG-BL-
 D9DY13034-K30-
 KAP7008-DIM-IB

6 PHOTOMETRIC INFO:



sales@gordonbullard.com
 www.bullardoutdoor.com
 1-877-964-4646



991 South Gull Lake Dr
 Richland, MI 49083
 USA