



FIXTURE TYPE: \_\_\_\_\_

PROJECT NAME: \_\_\_\_\_

NOTES:



**GENERAL INFORMATION:**

Break Corner belongs to display system collection. It is modular, versatile and innovative and it could be used as an angular bar counter or as a reception. Its modular structure matches with Break Bar, Break Line and Ice Bar. Break Corner is a luminous corner bar and it is ideal to light up small places, but also big areas and outdoor spaces. Break Corner matches with a lot of other luminous products, to create different and personalised combinations for a complete bar counter. It is a useful and angular bar counter that lights up all kinds of spaces, including small areas. Break Corner could be customised with logos or images, ensuring a unique, easily identified product.

**FIXTURE TYPE:**

Illuminated Furniture

**VOLTAGE:**

110-277V

**MATERIAL:**

Polyethylene

**IP RATING:**

IP 55

IP 55

**FINISH OPTION:**

Light white

**WARRANTY:**

Lighting products are warranted for 5 years.

**APPLIANCE CLASS:**

II



sales@gordonbullard.com  
www.bullardoutdoor.com  
1-877-964-4646

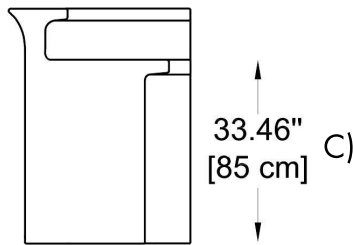
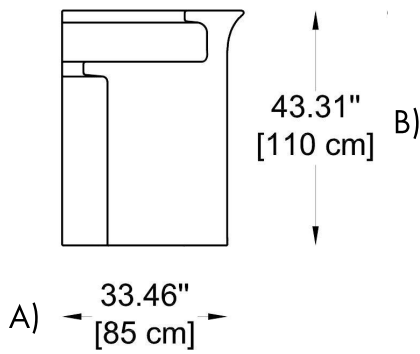


991 South Gull Lake Dr  
Richland, MI 49083  
USA

FIXTURE TYPE: \_\_\_\_\_

PROJECT NAME: \_\_\_\_\_

NOTES:



E26

IP 55



**HOW TO ORDER:**

**CODE:**

**Example:**  
**CODE:BO-LPBRC-SD-111-112-116**

BO-LPBRC-  
SD-111-112-  
116

**1 DIMENSIONS:**

- A) Length - L: 33,46" (85 cm)
- B) Height - H: 43,31" (110 cm)
- C) Width - W: 33,46" (85 cm)

**2 LIGHT SOURCE:**

E26 / 2 x max. 15W / 110-277V

**3 FINISH OPTION:**

Light white

**4 WIRING:**

Black cable (Length 10 ft.)

**5 WEIGHT:**

61,73 lb

**6 ACCESSORIES: (not-included)**

**DESKS:**

- 111 Tempered glass
- 113 Stainless silver

**SINK:**

- 116 Stainless silver

**TOPS:**

- 112 Tempered glass
- 114 Stainless silver

Tempered glass Stainless silver

Stainless silver



sales@gordonbullard.com

www.bullardoutdoor.com

1-877-964-4646



991 South Gull Lake Dr

Richland, MI 49083

USA