



FIXTURE TYPE: _____

PROJECT NAME: _____



GENERAL INFORMATION:

Rave is LED inground light, crafted from durable die-casting aluminum with stainless steel finish options, offers versatile and efficient lighting solutions. With beam angle options of 80° and 40° and a B80 lens, Rave provides flexibility to suit various outdoor lighting needs, offering energy-efficient illumination. Experience Rave's exceptional luminance, enhancing your outdoor ambiance with precision lighting.

FIXTURE TYPE:

Inground Luminaires - Drive Over / Walkover / Grazer

LIGHTING:

LED

LED

VOLTAGE:

110-277V

110-277V

MATERIAL:

12# Die-casting aluminium powder coated

CRI:

80

IP RATING:

IP 67

IP67

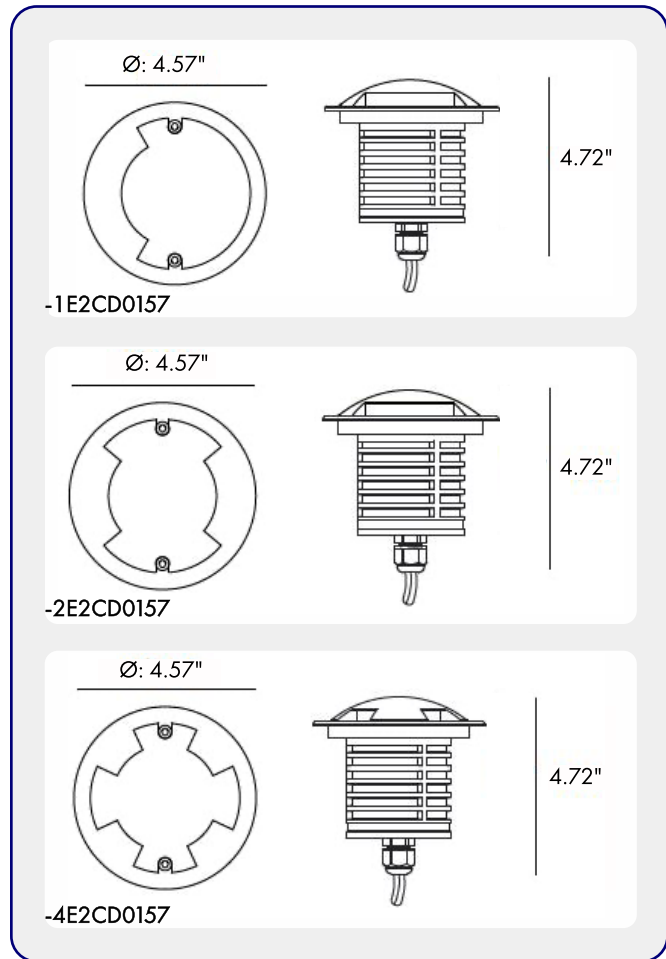
IK RATING:

IK 10

FIXTURE TYPE: _____

PROJECT NAME: _____

NOTES:



HOW TO ORDER:

CODE:

Example:
CODE: BO-RV-KPG-IL-XXX-XXX-XXX-XXX-XXX-XXX

BO-RV-KPG-IL-1E2CD0157-K30-DIM-B-

1 MODELS:

CODE -1E2CD0157

DIMENSIONS:

Diameter - Ø: 4.57" (11.6 cm)
Height - H: 4.72" (12cm)

LIGHT SOURCE:

LED / 1 x 2.1W / 45 mA / 23 lm / IK 10 / 110-277V

CODE -2E2CD0157

DIMENSIONS:

Diameter - Ø: 4.57" (11.6 cm)
Height - H: 4.72" (12cm)

LIGHT SOURCE:

LED / 1 x 2.1W / 45 mA / 42 lm / IK 10 / 110-277V

CODE -4E2CD0157

DIMENSIONS:

Diameter - Ø: 4.57" (11.6 cm)
Height - H: 4.72" (12cm)

LIGHT SOURCE:

LED / 1 x 2.1W / 45 mA / 45 lm / IK 10 / 110-277V

2 CCT OPTIONS:

-K30 3000K
-CUS Custom on request*

3 DIMMING OPTIONS:

-DIM 1-10V
-PWM Pulse Width Modulation
-DALI DALI (Digital Addressable Lighting Interface)

sales@gordonbullard.com
www.bullardoutdoor.com
1-877-964-4646



991 South Gull Lake Dr
Richland, MI 49083
USA

FIXTURE TYPE: _____

PROJECT NAME: _____

NOTES:



HOW TO ORDER:

CODE:

Example:
CODE: BO-RV-KPG-IL-XXX-XXX-XXX-XXX-XXX-XXX

BO-RV-KPG-IL-1E2CD0157-K30-DIM-B-

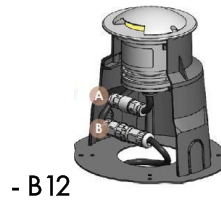
4 WATER PROOF SOLUTION: (optional)



5 ACCESSORIES:

SLEEVE (OPTION 1)

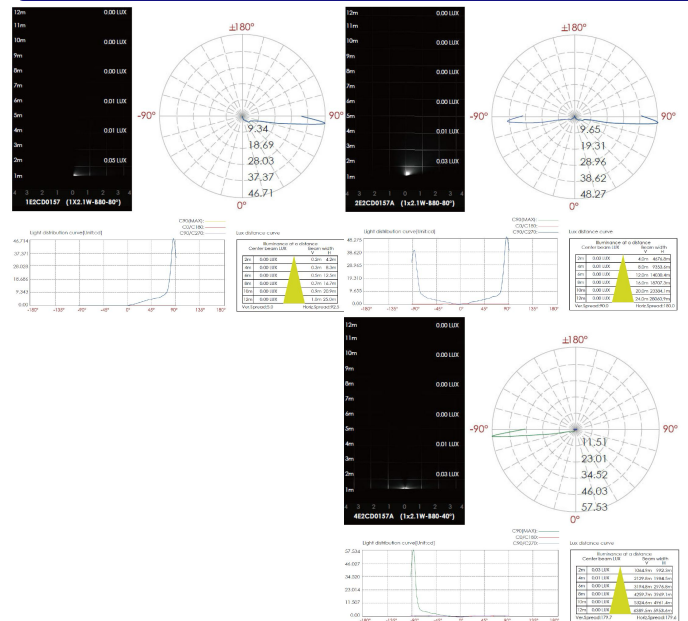
SLEEVE (OPTION 2)



6 OPTICS:

-B80 180°

7 PHOTOMETRIC INFO:



sales@gordonbullard.com
www.bullardoutdoor.com
1-877-964-4646



991 South Gull Lake Dr
Richland, MI 49083
USA