

**THE SNIPE**  
Park/Urban/Garden Pole Luminaires



FIXTURE TYPE: \_\_\_\_\_

PROJECT NAME: \_\_\_\_\_

-BOBRQ0326



-BOBRD0326



**GENERAL INFORMATION:**

THE SNIPE by Bullard Outdoor blends architectural presence with dependable outdoor performance. Defined by a tall, minimal pole and adjustable cylindrical spotlight heads, its clean, utilitarian design is ideal for parking areas, plazas, pathways, and large-scale architectural exteriors. The multi-head configuration allows for targeted illumination across wide outdoor spaces. Constructed from die-cast aluminum with a durable powder-coated finish, THE SNIPE is engineered for long-term outdoor use with excellent corrosion resistance. It features efficient LED lighting delivering controlled, focused light with a CRI of 80. Designed to operate on 110–277V, it offers reliable protection with an IP65 weather rating and IK07 impact resistance. Available in sanded black and dark gray finishes.

**FIXTURE TYPE:**

Urban Luminaires

**LIGHTING**

LED

LED

**VOLTAGE:**

110-277V



**MATERIAL:**

Die-casting aluminum finishing

**LENS:**

B57

**CRI:**

80

**IP RATING:**

IP 65

IP65

**IK RATING:**

IK 07

LED



IP65

**BUILT FOR THE STORM**

sales@gordonbullard.com

www.bullardoutdoor.com

1-877-964-4646



991 South Gull Lake Dr

Richland, MI 49083

USA

FIXTURE TYPE: \_\_\_\_\_

PROJECT NAME: \_\_\_\_\_

NOTES:

**-BOBRQ0326**



**-BOBRD0326**



**HOW TO ORDER:**

**CODE:**

Example:  
CODE: BO-ST-KPG-PL-BOBRQ0326-K30-KAP7037-DIM-B15-A1-IB

BO-ST-KPG-PL-  
BOBRQ0326-K30-  
KAP7037-DIM-B15-A1-IB

**1**

**MODELS:**

CODE **-BOBRQ0326**

DIMENSIONS:

Pole Diameter - Ø: 4.72" (12 cm)  
Height - H: 94.49" (240 cm)

LIGHT SOURCE:

LED / 25.8 W / 120 mA / 2202 lm / 110-277V

CODE **-BOBRD0326**

DIMENSIONS:

Pole Diameter - Ø: 4.72" (12 cm)  
Height - H: 94.49" (240 cm)

LIGHT SOURCE:

LED / 25.8 W / 252 mA / 2127 lm / 110-277V

**2**

**CCT OPTIONS:**

-K30 3000K  
-CUS Custom on request\*

**3**

**FINISH OPTIONS:**

-KAP7037 Sanded Dark Gray  
-RAL9005 Sanded Black

**4**

**DIMMING OPTIONS:**

-DIM 1-10V  
-PWM Pulse Width Modulation  
-DALI DALI (Digital Addressable Lighting Interface)



sales@gordonbullard.com  
www.bullardoutdoor.com  
1-877-964-4646



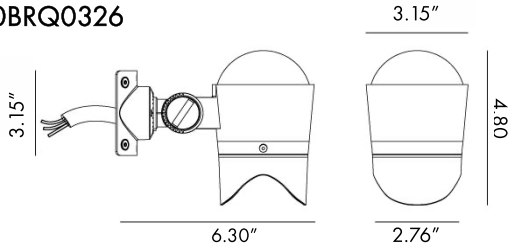
991 South Gull Lake Dr  
Richland, MI 49083  
USA

FIXTURE TYPE: \_\_\_\_\_

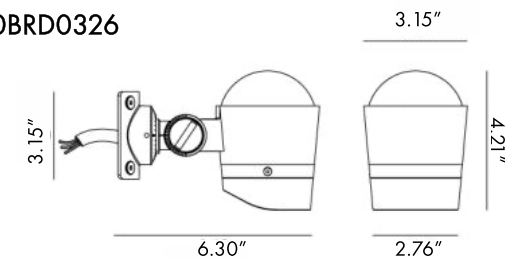
PROJECT NAME: \_\_\_\_\_

NOTES:

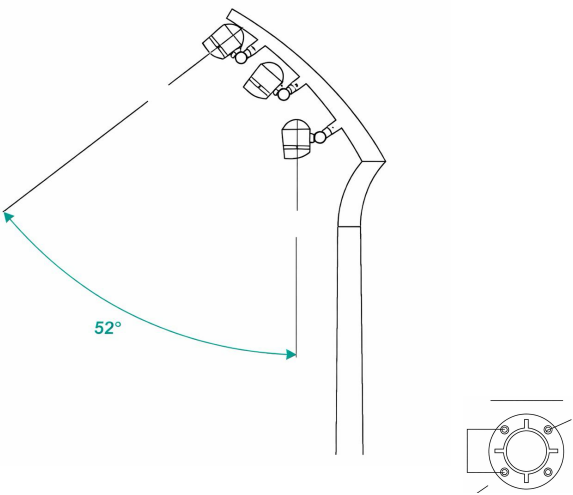
**-BOBRQ0326**



**-BOBRD0326**



**-Adjustable Beam Direction**




**HOW TO ORDER:**

**CODE:**

Example:  
 CODE: BO-ST-KPG-PL-BOBRQ0326-K30-KAP7037-DIM-B15-A1-IB

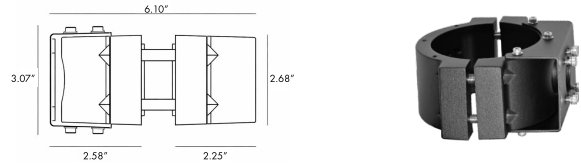
BO-ST-KPG-PL-  
 BOBRQ0326-K30-  
 KAP7037-DIM-B15-A1-IB

**5 BEAM**

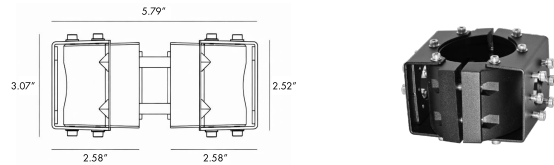
- B15 15°
- B24 24°
- B45 45°
- B60 60°

**6 ACCESSORIES**

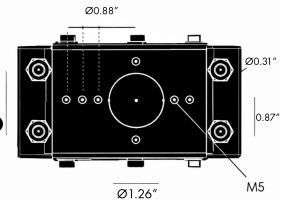
**-A1 One side - BO-RP001-KPG-BL**



**-A2 Two sides - BO-RP002-KPG-BL**



- 1 Compatible with all brands and models.
- 2 Safety hook(s) included (see A of image 1)
- 3 Two sizes of rubber gaskets included (see B of image 1) which can be selected based on the diameter of the installing pole. Please refer to the manual for details.
- 4 All stainless steel 304# screws



sales@gordonbullard.com  
 www.bullardoutdoor.com  
 1-877-964-4646



991 South Gull Lake Dr  
 Richland, MI 49083  
 USA

FIXTURE TYPE: \_\_\_\_\_

PROJECT NAME: \_\_\_\_\_

NOTES:

**-BOBRQ0326**



**-BOBRD0326**



**HOW TO ORDER:**

**CODE:**

Example:  
 CODE: BO-ST-KPG-PL-BOBRQ0326-K30-KAP7037-DIM-B15-A1-IB

BO-ST-KPG-PL-  
 BOBRQ0326-K30-  
 KAP7037-DIM-B15-A1-IB

**7**

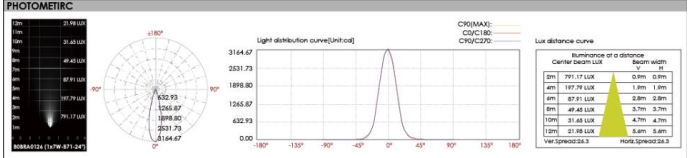
**INSTALLATION TYPE:**

- SB Screw Base (included)
- IB Inground Base (optional)
- GAB Ground Anchor Base (optional)

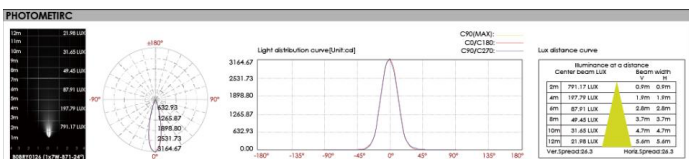
**8**

**PHOTOMETRIC INFO:**

**-BOBRD0326**



**-BOBRQ0326**



sales@gordonbullard.com  
 www.bullardoutdoor.com  
 1-877-964-4646



991 South Gull Lake Dr  
 Richland, MI 49083  
 USA