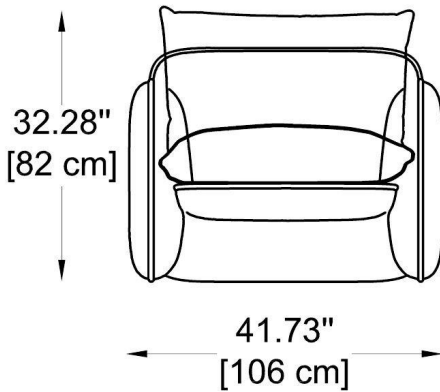
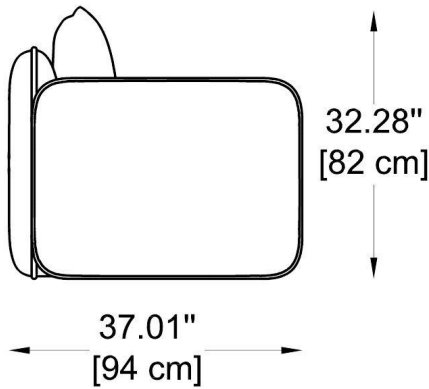




FIXTURE TYPE: \_\_\_\_\_

PROJECT NAME: \_\_\_\_\_

NOTES:



**HOW TO ORDER:**

**CODE:**

**Example:**  
CODE: BO-MAA075-SD-MW-CW

BO-MAA075-SD-MW-CW

**GENERAL INFORMATION:**

The woven leather is the main feature of the texture of Mara, a lounge armchair designed by Lorenza Bozzoli. This unique texture matches perfectly with the fabric cushions, waterproof and available for outdoor spaces. The comfortable seat of Mara is suitable for contract projects in rooftop, gardens and indoor or outdoor spaces. Mara is a collection composed of Mara Sofa sofa and Mara Pouf little pouf.

**FIXTURE TYPE:**

Non-Illumination Furniture / Armchair

**MATERIAL:**

Polyethylene

**DIMENSIONS:**

L: 37.01" (94 cm) x H: 32.28" (82 cm) x W: 41.73" (106 cm)

**FINISH OPTIONS:**

**STANDARD COLOURS:**

- MW Milky White
- JB Jet Black
- EG Elephant Grey
- CB Chocolate Brown
- AG Argil Grey
- DG Dove Grey

**SPECIAL COLOURS**

- ML Mahogany Leather
- SL Saddle Leather

**ACCESSORIES (included):**

**CUSHION**

**Material:**

Wadding and rubber with outdoor waterproof acrylic cover (removable)

**Finish Options**

- CW Cotton White
- RB River Blue
- EO Earth Orange
- DS Dune Sand
- LB London Brown



sales@gordonbullard.com  
www.bullardoutdoor.com  
1-877-964-4646



991 South Gull Lake Dr  
Richland, MI 49083  
USA