



FIXTURE TYPE: \_\_\_\_\_

PROJECT NAME: \_\_\_\_\_



**GENERAL INFORMATION:**

The TERRI Spotlight – Garden Luminaire is a high-performance, precision-engineered outdoor lighting solution designed to enhance landscape aesthetics with focused illumination. Created under the Bullard Outdoor line, this fixture is Built for the Storm, ensuring durability, reliability, and visual excellence in all weather conditions. Ideal for accent lighting, the TERRI Spotlight offers architectural-grade performance for highlighting trees, sculptures, pathways, and garden features.

**FIXTURE TYPE:**

Spotlight - Garden Luminaires

**LIGHTING**

LED **LED**

**VOLTAGE:**

110-277V 

**MATERIAL:**

12# Die-casting aluminum finishing

**LENS:**

Tempered glass.T=3mm

**CRI:**

80

**IP RATING:**

IP 66 **IP66**

**IK RATING:**

IK 06

**FINISHING:**

- Sanded Bronze
- Sanded Dark Gray
- Sanded Black
- Sanded White

sales@gordonbullard.com  
www.bullardoutdoor.com  
1-877-964-4646



991 South Gull Lake Dr  
Richland, MI 49083  
USA

FIXTURE TYPE: \_\_\_\_\_

PROJECT NAME: \_\_\_\_\_

NOTES:

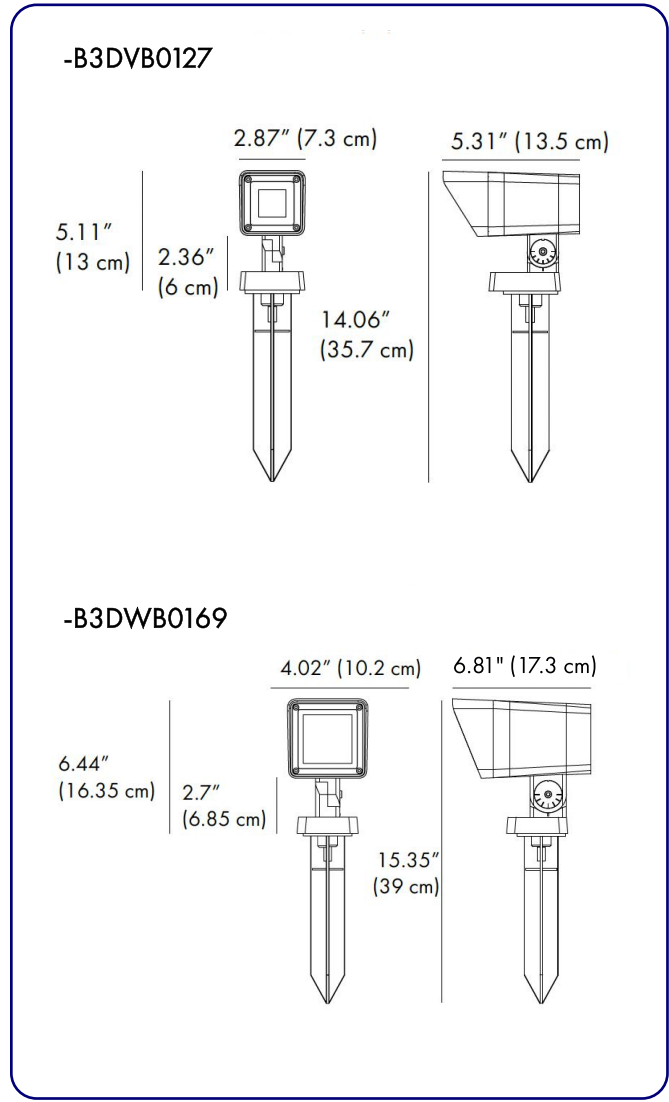
**HOW TO ORDER:**

**CODE:**

Example:  
CODE: BO-TRI-KPG-SPT-XXX-XXX-XXX-XXX-XXX-XX

BO-TRI-KPG-SPT-  
B3DVB0127-K30-  
KAP7008-B71-15-B-12A

**1** **MODELS:**



**CODE -B3DVB0127**

DIMENSIONS:

Spot Height - H: 5.11" (13 cm)  
Spot Length - L: 5.31" (13.5 cm)  
Over Height - H: 14.06" (35.7 cm)

LIGHT SOURCE:

LED / 1 x 8W / 45 mA / 792 lm / 110-277V

**CODE -B3DWB0169**

DIMENSIONS:

Spot Height - H: 6.44" (16.35 cm)  
Spot Length - L: 6.81" (17.3 cm)  
Over Height - H: 15.35" (39 cm)

LIGHT SOURCE:

LED / 1 x 14W / 142 mA / 1424 lm / 110-277V

**2** **CCT OPTIONS:**

-K30 3000K  
-CUS Custom on request\*

**3** **FINISH OPTIONS:**

-KAP7008 Sanded Bronze  
-KAP7037 Sanded Dark Gray  
-RAL 9005 Sanded Black  
-RAL9003 Sanded White

**4** **BEAM ANGLE:**

available only for  
-B3DVB0127 model

-B71-15 15°  
-B71-24 24°  
-B71-33 33°  
-B71-45 45°  
-B71-60 60°

available only for  
-B3DWB0169 model

-B108-15 15°  
-B108-24 24°  
-B108-36 36°  
-B108-50 50°



sales@gordonbullard.com  
www.bullardoutdoor.com  
1-877-964-4646



991 South Gull Lake Dr  
Richland, MI 49083  
USA

FIXTURE TYPE: \_\_\_\_\_

PROJECT NAME: \_\_\_\_\_

NOTES:



**HOW TO ORDER:**

**CODE:**

Example:  
CODE: BO-TRI-KPG-SPT-XXX-XXX-XXX-XXX-XXX-XX

BO-TRI-KPG-SPT-  
B3DVB0127-K30-  
KAP7008-B71-15-B-12A

**5**

**WATER PROOF SOLUTION: (optional)**

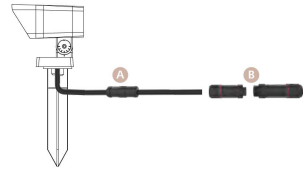
**A Water-Stopper(Included)**

A IP-66 water-stopper is added in the end of luminaires as standard assembly which is also an important system for water resistance.

**-B**

**IP67 Jiffy quick plug/socket connector(Optional)**

A IP-67 connector is as an optional assembly and ensures that water vapor will not enter into luminaires directly.

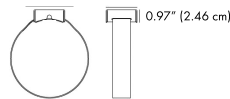


**6**

**ACCESSORIES:**

**TREE POLE STRAP**

**-RD003**



**SPIKE (STAINLESS STEEL / PC-ABS alloys )**

**-12A**

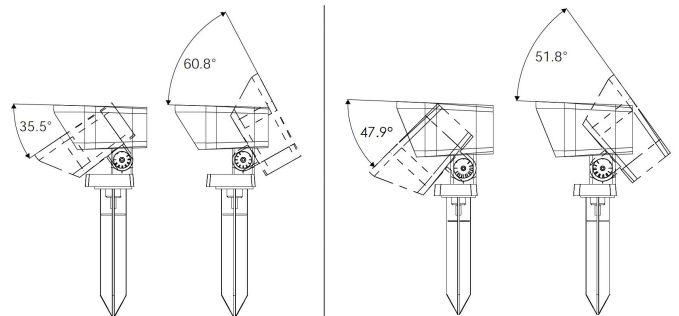


**-18A**



**7**

**ADJUSTABLE BEAM DIRECTION:**



sales@gordonbullard.com

www.bullardoutdoor.com

1-877-964-4646



991 South Gull Lake Dr

Richland, MI 49083

USA

FIXTURE TYPE: \_\_\_\_\_

PROJECT NAME: \_\_\_\_\_

NOTES:



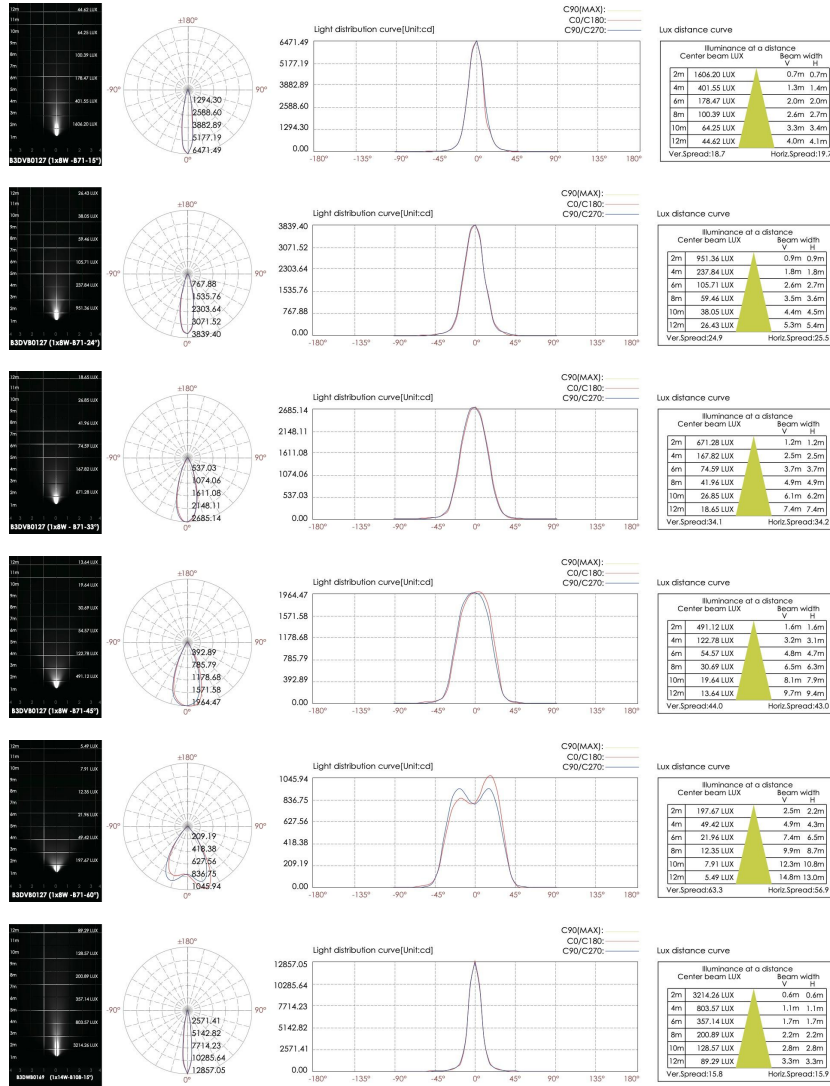
**HOW TO ORDER:**

Example:  
 CODE: BO-TRI-KPG-SPT-XXX-XXX-XXX-XXX-XXX-XX

**CODE:**

BO-TRI-KPG-SPT-  
 B3DVBO127-K30-  
 KAP7008-B71-15-B-12A

**8 PHOTOMETRIC:**



sales@gordonbullard.com  
 www.bullardoutdoor.com  
 1-877-964-4646



991 South Gull Lake Dr  
 Richland, MI 49083  
 USA

FIXTURE TYPE: \_\_\_\_\_

PROJECT NAME: \_\_\_\_\_

NOTES:

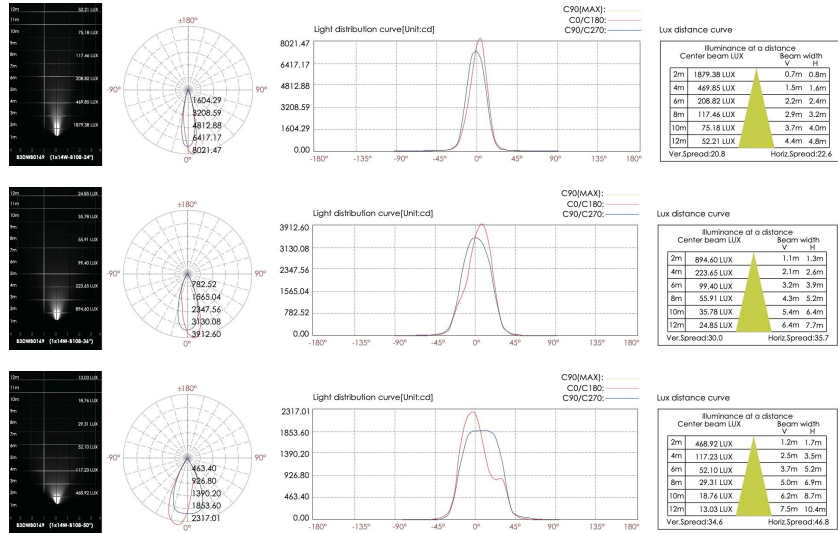


**HOW TO ORDER:**

**CODE:**

Example:  
CODE: BO-TRI-KPG-SPT-XXX-XXX-XXX-XXX-XXX-XX

BO-TRI-KPG-SPT-  
B3DVBO127-K30-  
KAP7008-B71-15-B-12A



sales@gordonbullard.com  
www.bullardoutdoor.com  
1-877-964-4646



991 South Gull Lake Dr  
Richland, MI 49083  
USA