



FIXTURE TYPE: \_\_\_\_\_

PROJECT NAME: \_\_\_\_\_

-BOBSQ0369



-BOBSD0369



**GENERAL INFORMATION:**

THE AVOCET by Bullard Outdoor blends architectural presence with dependable outdoor performance. Defined by a tall, minimal pole and adjustable cylindrical spotlight heads, its clean, utilitarian design is ideal for parking areas, plazas, pathways, and large-scale architectural exteriors. The multi-head configuration allows for targeted illumination across wide outdoor spaces.

Constructed from die-cast aluminum with a durable powder-coated finish, THE AVOCET is engineered for long-term outdoor use with excellent corrosion resistance. It features efficient LED lighting delivering controlled, focused light with a CRI of 80. Designed to operate on 110–277V, it offers reliable protection with an IP65 weather rating and IK07 impact resistance. Available in sanded black and dark gray finishes.

**FIXTURE TYPE:**

Urban Luminaires

**LIGHTING**

LED

LED

**VOLTAGE:**

110-277V

110-277V

**MATERIAL:**

Die-casting aluminum finishing

**LENS:**

B57

**CRI:**

80

**IP RATING:**

IP 65

IP65

**IK RATING:**

IK 07

LED

110-277V



IP65

**BUILT FOR THE STORM**

sales@gordonbullard.com

www.bullardoutdoor.com

1-877-964-4646



991 South Gull Lake Dr

Richland, MI 49083

USA

FIXTURE TYPE: \_\_\_\_\_

PROJECT NAME: \_\_\_\_\_

NOTES:

-BOBSQ0369



-BOBSD0369



**HOW TO ORDER:**

**CODE:**

Example:  
CODE: BO-ST-KPG-PL-BOBSQ0369-K30-KAP7037-DIM-B15-A1-IB

BO-ST-KPG-PL-  
BOBSQ0369-K30-  
KAP7037-DIM-B15-A1-IB

1

**MODELS:**

CODE-BOBSQ0369

DIMENSIONS:

Pole Diameter - Ø: 4.72" (12 cm)

Height - H: 129.92" (330 cm)

LIGHT SOURCE:

LED / 60 W / 120 mA / 5490 lm / 110-277V

CODE -BOBSD0369

DIMENSIONS:

Pole Diameter - Ø: 4.72" (12 cm)

Height - H: 129.92" (330 cm)

LIGHT SOURCE:

LED / 60 W / 120 mA / 5223 lm / 110-277V

2

**CCT OPTIONS:**

-K30 3000K

-CUS Custom on request\*

3

**FINISH OPTIONS:**

-KAP7037 Sanded Dark Gray

-RAL9005 Sanded Black

4

**DIMMING OPTIONS:**

-DIM 1-10V

-PWM Pulse Width Modulation

-DALI DALI (Digital Addressable Lighting Interface)



sales@gordonbullard.com

www.bullardoutdoor.com

1-877-964-4646



991 South Gull Lake Dr

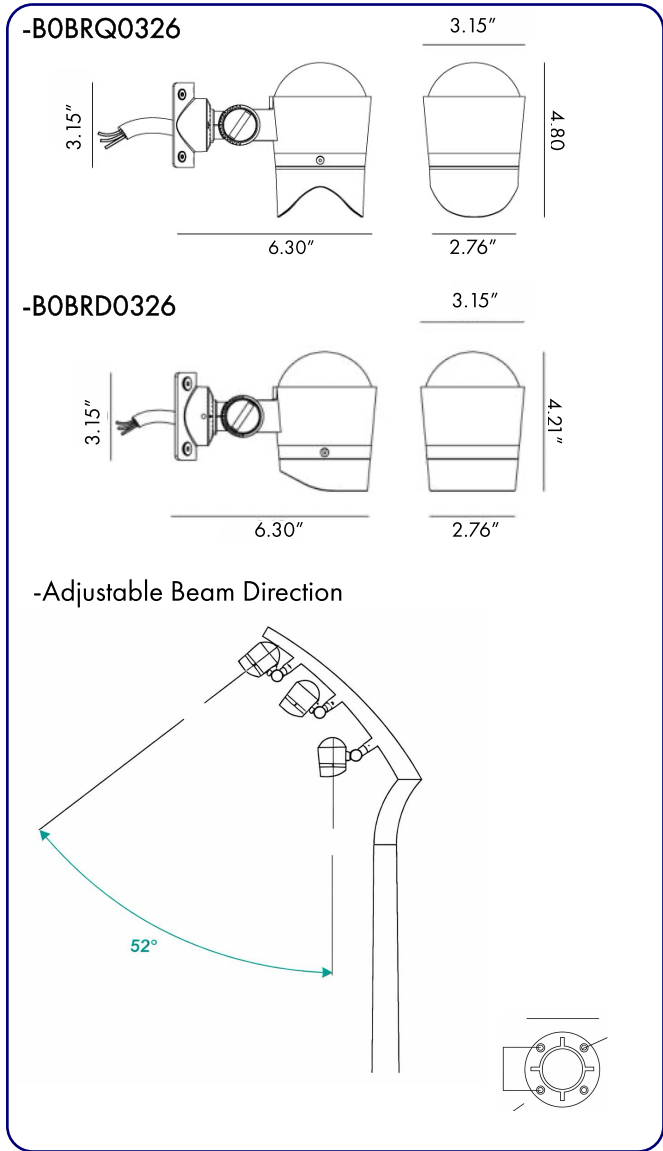
Richland, MI 49083

USA

FIXTURE TYPE: \_\_\_\_\_

PROJECT NAME: \_\_\_\_\_

NOTES:



**HOW TO ORDER:**

**CODE:**

Example:  
CODE: BO-ST-KPG-PL-B0BSQ0369-K30-KAP7037-DIM-B15-A1-IB

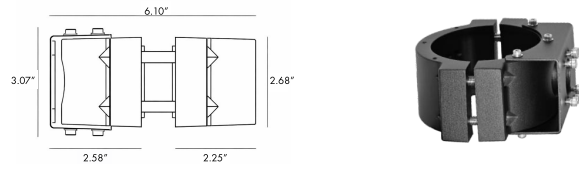
BO-ST-KPG-PL-  
B0BSQ0369-K30-  
KAP7037-DIM-B15-A1-IB

**5 BEAM**

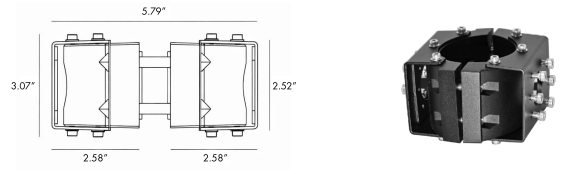
- B15 15°
- B24 24°
- B45 45°
- B60 60°

**6 ACCESSORIES**

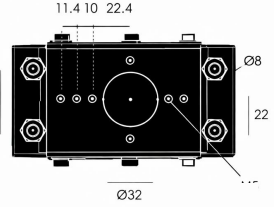
**-A1 One side - BO-RP001-KPG-BL**



**-A2 Two sides - BO-RP002-KPG-BL**



- 1 Compatible with all brands and models.
- 2 Safety hook(s) included (see A of image 1)
- 3 Two sizes of rubber gaskets included (see B of image 1) which can be selected based on the diameter of the installing pole. Please refer to the manual for details.
- 4 All stainless steel 304# screws



sales@gordonbullard.com  
www.bullardoutdoor.com  
1-877-964-4646



991 South Gull Lake Dr  
Richland, MI 49083  
USA

FIXTURE TYPE: \_\_\_\_\_

PROJECT NAME: \_\_\_\_\_

NOTES:

**-BOBSQ0369**



**-BOBSD0369**



**HOW TO ORDER:**

**CODE:**

Example:  
 CODE: BO-ST-KPG-PL-BOBSQ0369-K30-KAP7037-DIM-B15-A1-IB

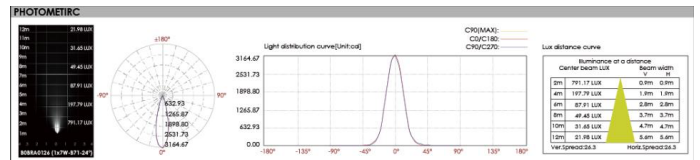
BO-ST-KPG-PL-  
 BOBSQ0369-K30-  
 KAP7037-DIM-B15-A1-IB

**7 INSTALLATION TYPE:**

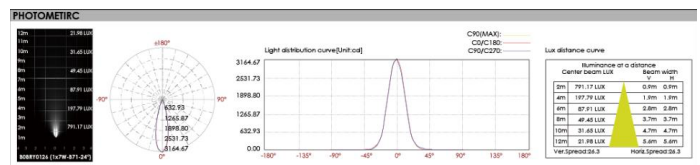
- SB Screw Base (included)
- IB Inground Base (optional)
- GAB Ground Anchor Base (optional)

**8 PHOTOMETRIC INFO:**

**-BOBSQ0369**



**-BOBSD0369**



sales@gordonbullard.com  
 www.bullardoutdoor.com  
 1-877-964-4646



991 South Gull Lake Dr  
 Richland, MI 49083  
 USA