



**BULLARD
OUTDOOR**
BUILT for the STORM

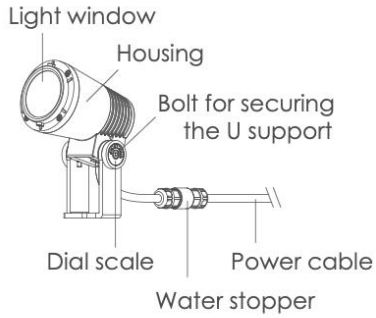
INSTALLATION INSTRUCTION
01/28/2026

TERRI



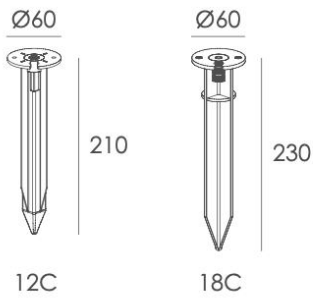
Exterior details

Luminaire

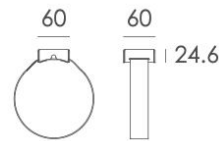


Optional accessories

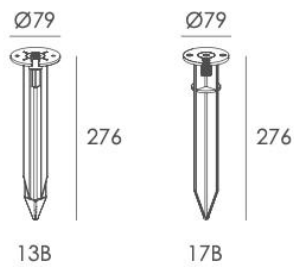
Spike



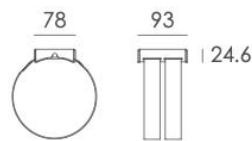
Tree pole strap



Spike



Tree pole strap



Data Sheet:

Input Voltage (V): 110-277
IK: 06

P.2

sales@gordonbullard.com
www.bullardoutdoor.com
1 877-964-4646

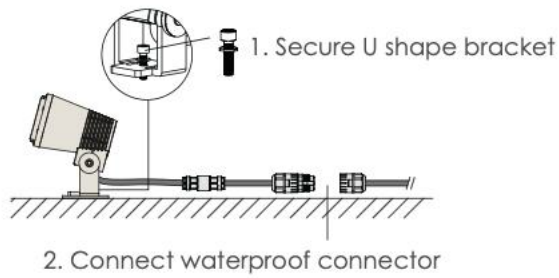


991 South Gull Lake Dr.
Richland, MI 49083
USA

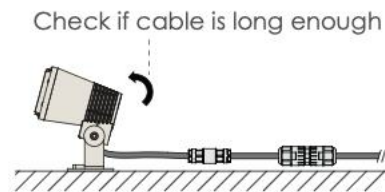


Installation steps

Step 1

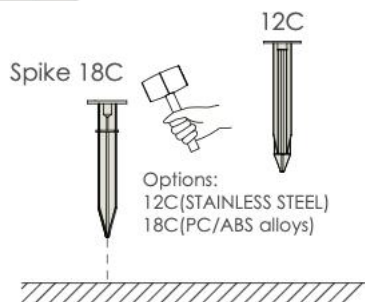


Step 2

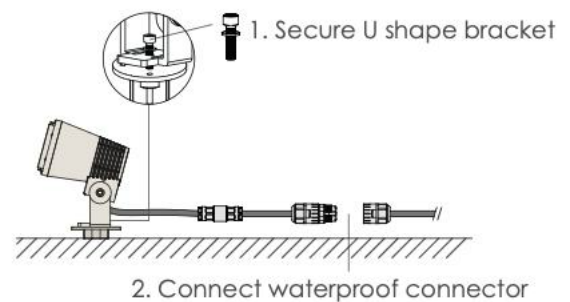


Accessories assemble - Spike

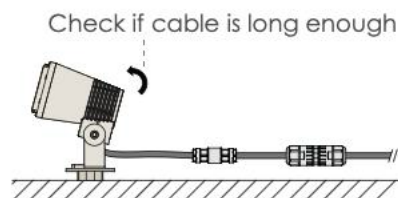
Step 1



Step 2

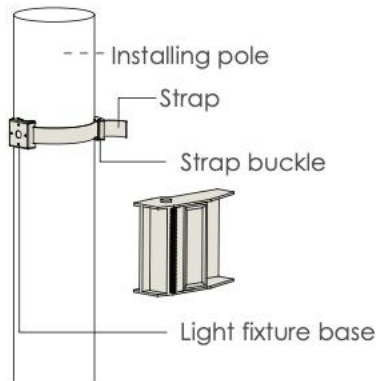


Step 3

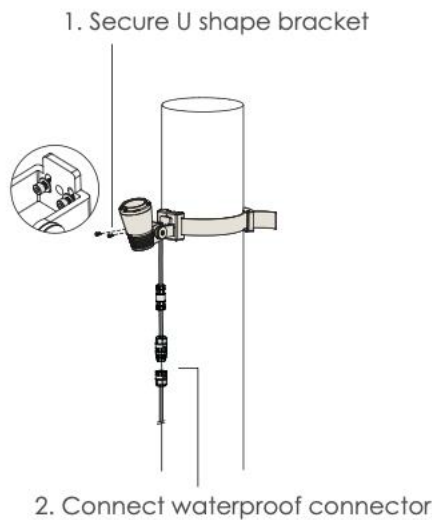


Accessories assemble - Tree pole strap

Step 1



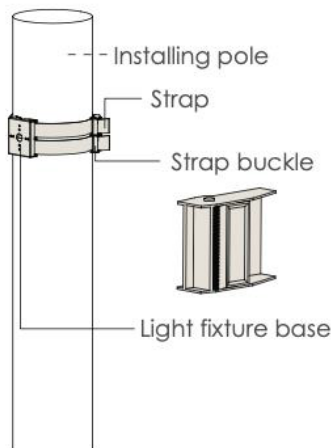
Step 2



Step 3



Step 1



Step 2



Step 3

