



FIXTURE TYPE: _____

PROJECT NAME: _____

NOTES:

GENERAL INFORMATION:

Peak is an eccentric high table, available in standard or in luminous version and designed by Aksu and Suardi studio. Peak has got an extremely linear design: its base has got a conical shape made in polyethylene, with a round top in tempered glass in different dimensions. The main feature of Peak is the central bottle rack, ideal for special occasions. Peak is available for indoor use only, it is ideal to create a dreamy atmosphere thanks to the dim light of its base.

FIXTURE TYPE:

Illuminated Furniture

VOLTAGE:

110-277V

MATERIAL:

Polyethylen+ tempered clear glass tabletop (included)

IP RATING:

IP 55

IP 55

FINISH OPTION:

- Light white
- Jet Black

WARRANTY:

Lighting products are warranted for 5 years.

APPLIANCE CLASS:

II



sales@gordonbullard.com
www.bullardoutdoor.com
1-877-964-4646

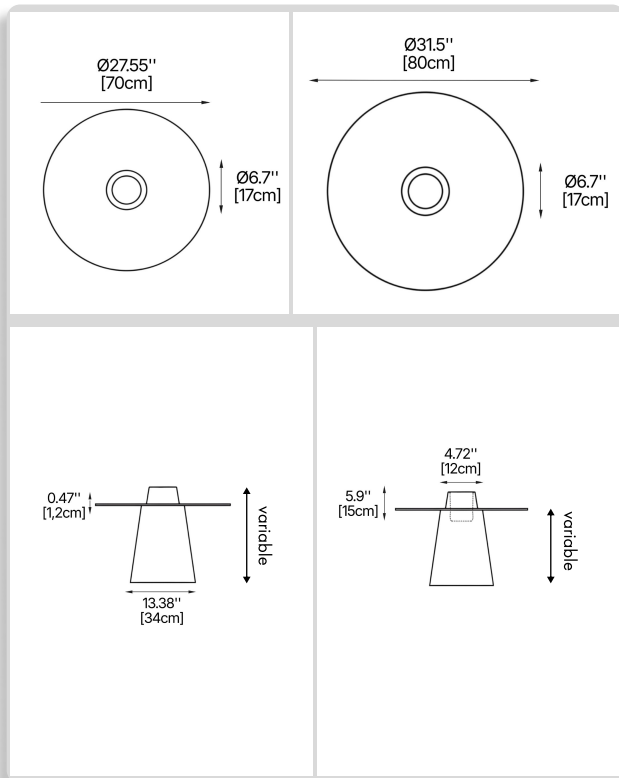


991 South Gull Lake Dr
Richland, MI 49083
USA

FIXTURE TYPE: _____

PROJECT NAME: _____

NOTES:



HOW TO ORDER:

CODE:

| | |
|---|-------------------------|
| Example: CODE:BO-PEAK-SD-50-70 | BO-PEAK-SD-50-70 |
|---|-------------------------|

| | | |
|----------|----------------|--|
| 1 | MODELS: | |
|----------|----------------|--|

CODE: -50-70

DIMENSIONS:

A) Diameter - Ø: 27,55" (70 cm)
 B) Height - H: 19,68" (50 cm)

CODE: -50-80

DIMENSIONS:

A) Diameter - Ø: 31,5" (80 cm)
 B) Height - H: 19,68" (50 cm)

CODE: -80-70

DIMENSIONS:

A) Diameter - Ø: 27,55" (70 cm)
 B) Height - H: 31,5" (80 cm)

CODE: -80-80

DIMENSIONS:

A) Diameter - Ø: 31,5" (80 cm)
 B) Height - H: 31,5" (80 cm)

CODE: -120-70

DIMENSIONS:

A) Diameter - Ø: 27,55" (70 cm)
 B) Height - H: 31,5" (80 cm)

CODE: -120-80

DIMENSIONS:

A) Diameter - Ø: 31,5" (80 cm)
 B) Height - H: 31,5" (80 cm)

| | | |
|----------|---|--|
| 2 | FINISH OPTION (NON-ILUMMINATED): | |
|----------|---|--|

-LW Light white
-JB Jet Black

| | |
|----------|----------------------|
| 3 | LIGHT SOURCE: |
|----------|----------------------|

E26 / 1 x max. 10W / 110-277V

sales@gordonbullard.com
 www.bullardoutdoor.com
 1-877-964-4646

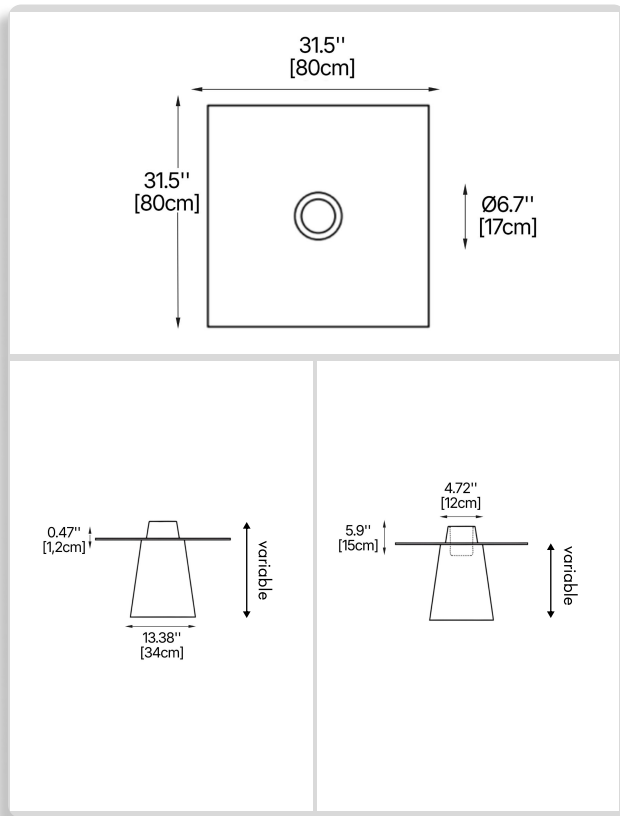


991 South Gull Lake Dr
 Richland, MI 49083
 USA

FIXTURE TYPE: _____

PROJECT NAME: _____

NOTES:



HOW TO ORDER:

CODE:

| | |
|---|-------------------------|
| Example: CODE:BO-PEAK-SD-50-70 | BO-PEAK-SD-50-70 |
|---|-------------------------|

| | |
|-------------------------|--|
| 1 MODELS: | |
|-------------------------|--|

CODE: -S50-80

DIMENSIONS:

- A) Length - L: 31,5" (80 cm)
- B) Height - H: 19,68" (50 cm)
- C) Width - W: 31,5" (80 cm)

CODE: -S80-80

DIMENSIONS:

- A) Length - L: 31,5" (80 cm)
- B) Height - H: 31,5" (80 cm)
- C) Width - W: 31,5" (80 cm)

CODE: -S120-80

DIMENSIONS:

- A) Length - L: 31,5" (80 cm)
- B) Height - H: 31,5" (80 cm)
- C) Width - W: 31,5" (80 cm)

| | |
|--|--|
| 2 FINISH OPTION (NON-ILUMMINATED): | |
|--|--|

- LW** Light white
- JB** Jet Black

| | |
|-------------------------------|--|
| 3 LIGHT SOURCE: | |
|-------------------------------|--|

E26 / 1 x max. 10W / 110-277V

sales@gordonbullard.com
www.bullardoutdoor.com
1-877-964-4646



991 South Gull Lake Dr
Richland, MI 49083
USA