



FIXTURE TYPE: \_\_\_\_\_

PROJECT NAME: \_\_\_\_\_



**GENERAL INFORMATION:**

The Arbor is an in-ground lighting fixture powered by LEDs and made from die-cast aluminum. It is available in six sizes with a Sanded Black finish option. The voltage range is 110-277V

**FIXTURE TYPE:**

Inground Luminaires - Compact / Mini

**LIGHTING:**

LED

LED

**VOLTAGE:**

110-277V



**MATERIAL:**

12# Die-casting powder coated aluminum

**CRI:**

80

**IP RATING:**

IP 68

IP68

**IK RATING:**

IK 08 / 09/10

sales@gordonbullard.com  
www.bullardoutdoor.com  
1-877-964-4646



991 South Gull Lake Dr  
Richland, MI 49083  
USA

FIXTURE TYPE: \_\_\_\_\_

PROJECT NAME: \_\_\_\_\_

NOTES:

**HOW TO ORDER:**

**CODE:**

Example:  
CODE: BO-AR-KPG-IL-XXX-XXX-XXX-XXX-XXX-XXX

BO-AR-KPG-IL-XB2CFR0157-  
K30-B27-15-DIM-

**1 MODELS:**

**CODE -XB2CFR0157**

DIMENSIONS:

Diameter - Ø: 3.74" (9.5 cm)

Height - H: 5.14" (13 cm)

LIGHT SOURCE:

LED / 1 x 2W / 43 mA / 112 lm / IK 08 / 110-277V

**CODE -XB2DFR0124**

DIMENSIONS:

Diameter - Ø: 4.57" (11.6 cm)

Height - H: 4.84" (12.3 cm)

LIGHT SOURCE:

LED / 1 x 4W / 37 mA / 323 lm / IK 09 / 110-277V

**CODE -XB2EFR0128**

DIMENSIONS:

Diameter - Ø: 6.81" (17.3 cm)

Height - H: 6.02" (15.3 cm)

LIGHT SOURCE:

LED / 1 x 10W / 98 mA / 911 lm / IK 09 / 110-277V

**CODE -XB2FFR0169**

DIMENSIONS:

Diameter - Ø: 8.27" (21 cm)

Height - H: 7.05" (17.9 cm)

LIGHT SOURCE:

LED / 1 x 14W / 131 mA / 1298 lm / IK 09 / 110-277V



sales@gordonbullard.com

www.bullardoutdoor.com

1-877-964-4646



991 South Gull Lake Dr

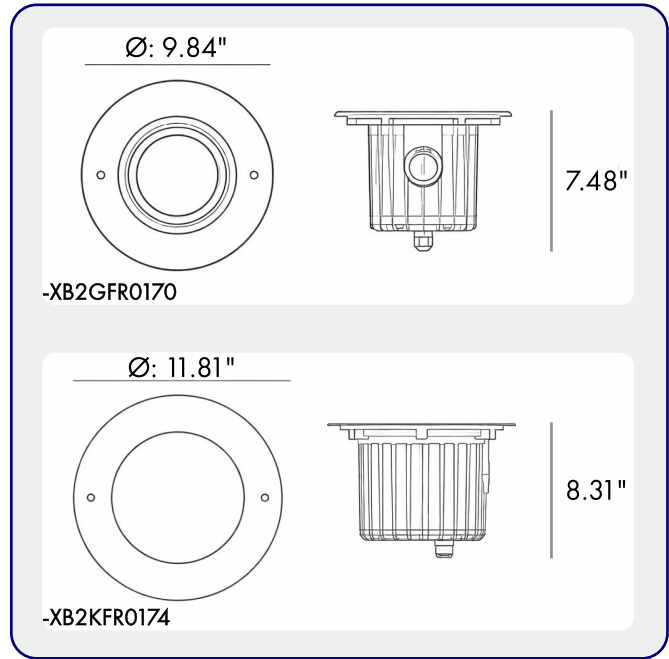
Richland, MI 49083

USA

FIXTURE TYPE: \_\_\_\_\_

PROJECT NAME: \_\_\_\_\_

NOTES:



**HOW TO ORDER:**

**CODE:**

Example:  
CODE: BO-AR-KPG-IL-XXX-XXX-XXX-XXX-XXX-XXX

BO-AR-KPG-IL-XB2CFR0157-K30-B27-15-DIM-

**1 MODELS:**

CODE -XB2GFR0170

DIMENSIONS:

Diameter - Ø: 9.84" (25cm)  
Height - H: 7.48" (19 cm)

LIGHT SOURCE:

LED / 1 x 20W / 178 mA / 1900 lm / IK 10/110-277V

CODE -XB2KFR0174

DIMENSIONS:

Diameter - Ø: 11.81" (30 cm)  
Height - H: 8.31" (21.1 cm)

LIGHT SOURCE:

LED / 1 x 30W / 148 mA / 3100 lm / IK 10/110-277V

**2 CCT OPTIONS:**

-K30 3000K  
-CUS Custom on request\*

**3 BEAM ANGLE:**

available only for -Ø: 3.74" size	available only for -Ø: 3.74" size	available only for -Ø: 4.57" size
-B27-15 15°	-B45-10x60 10°x60°	-B54-15 15°
-B27-25 25°	-B45-10 10°	-B54-24 24°
-B27-30 30°	-B45-20 20°	-B54-38 38°
	-B45-50 50°	-B54-45 45°
available only for -Ø: 6.81" size	available only for -Ø: 8.27", Ø: 9.84" size	available only for -Ø: 11.81" size
-B55-15 15°	-B56-15 15°	-B121 28°
-B55-24 24°	-B56-24 24°	-B121 45°
-B55-38 38°	-B56-38 38°	-B121 60°
-B55-45 45°	-B56-45 45°	
-B55-60 60°	-B56-60 60°	

sales@gordonbullard.com  
www.bullardoutdoor.com  
1-877-964-4646



991 South Gull Lake Dr  
Richland, MI 49083  
USA

FIXTURE TYPE: \_\_\_\_\_

PROJECT NAME: \_\_\_\_\_

NOTES:



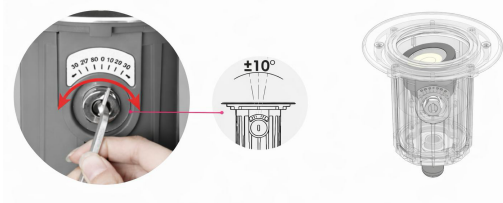
**LED**

110-277V



**IP68**


  
DALI



**HOW TO ORDER:** \_\_\_\_\_ **CODE:** \_\_\_\_\_

Example:  
CODE: BO-AR-KPG-IL-XXX-XXX-XXX-XXX-XXX-XXX

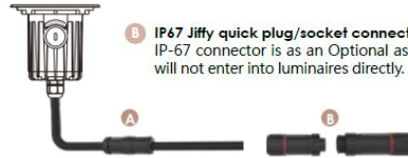
BO-AR-KPG-IL-XB2CFR0157-K30-B27-15-DIM-

**4 DIMMING OPTIONS:** \_\_\_\_\_

- DIM 1-10V
- PWM Pulse Width Modulation
- DALI DALI (Digital Addressable Lighting Interface)

**5 WATER PROOF SOLUTION: (optional)** \_\_\_\_\_

- B**
- A Water-Stopper (Included)**  
IP-67 water-stopper is added in the end of luminaires as standard assembly which is also an important system for water resistance.
  - B IP67 Jiffy quick plug/socket connector (Optional)**  
IP-67 connector is as an Optional assembly and ensures that water vapor will not enter into luminaires directly.





**6 ACCESSORIES:** \_\_\_\_\_

- HONEYCOMB LOUVER (INCLUDED)**
- Mh040 -Ø: 3.74"
  - Mh053 -Ø: 4.57"
  - Mh022 -Ø: 6.81"
  - Mh048 -Ø: 8.27"
  - Mh047 -Ø: 9.84"
  - Mh118 -Ø: 11.81"



**SLEEVE (OPTION 1)** \_\_\_\_\_ **SLEEVE (OPTION 2)** \_\_\_\_\_

- 
  - B0B -Ø: 3.74"
  - B09 -Ø: 4.57"
  - 066# -Ø: 6.81"
  - 067# -Ø: 8.27"
  - 068# -Ø: 9.84"
  - 106# -Ø: 11.81"


  - 181# -Ø: 3.74"
  - 083# -Ø: 4.57"

sales@gordonbullard.com  
www.bullardoutdoor.com  
1-877-964-4646



991 South Gull Lake Dr  
Richland, MI 49083  
USA

FIXTURE TYPE: \_\_\_\_\_

PROJECT NAME: \_\_\_\_\_

NOTES:



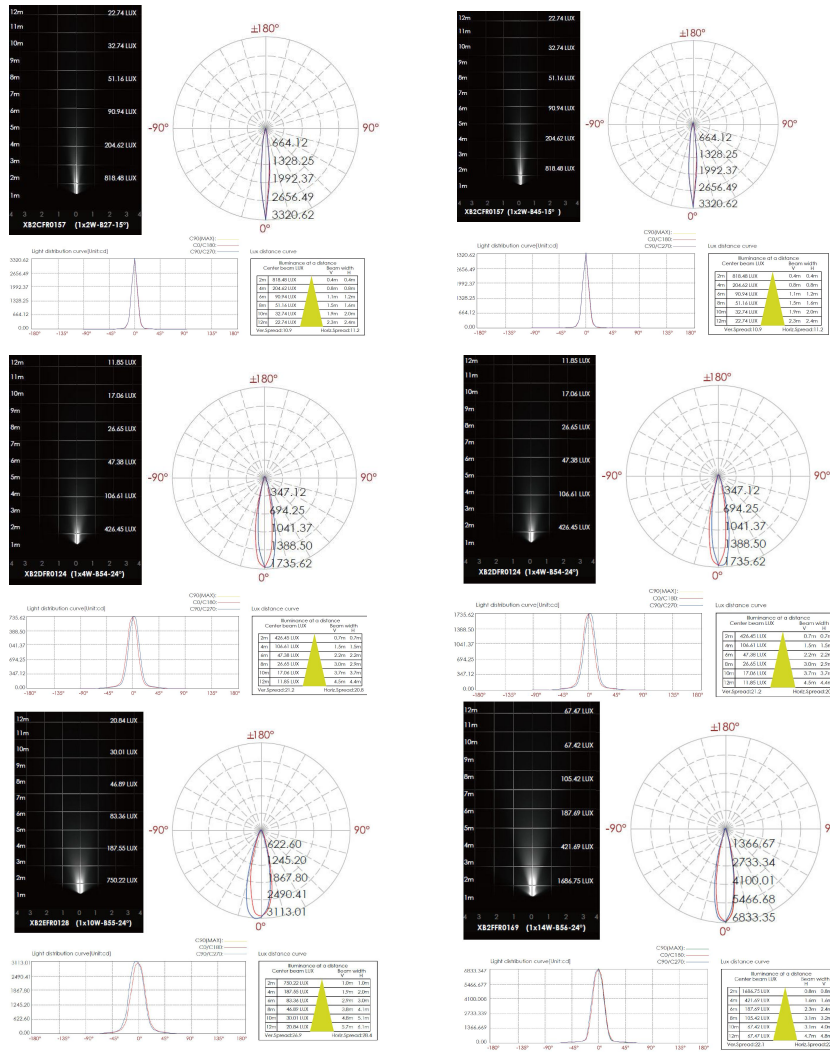
**HOW TO ORDER:**

**CODE:**

Example:  
CODE: BO-AR-KPG-IL-XXX-XXX-XXX-XXX-XXX-XXX

BO-AR-KPG-IL-XB2CFR0157-  
K30-B27-15-DIM-

**7 PHOTOMETRIC INFO:**



sales@gordonbullard.com  
www.bullardoutdoor.com  
1-877-964-4646



991 South Gull Lake Dr  
Richland, MI 49083  
USA