



**BULLARD
OUTDOOR**
BUILT for the STORM

INSTALLATION INSTRUCTION
01/15/2026

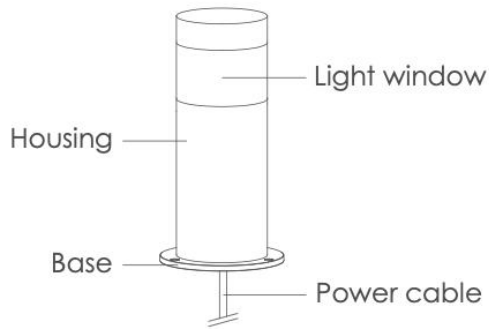
THE JUNIPER

INSTALLATION TYPE: ANCHOR MOUNT

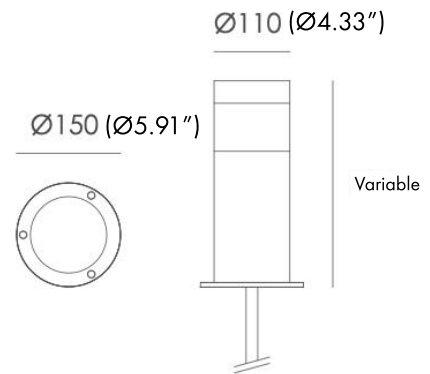


1. EXTERIOR DETAILS

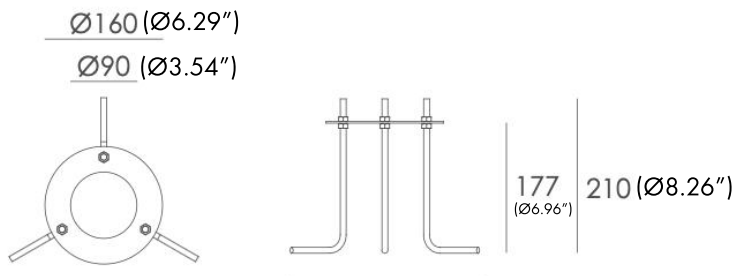
1.1 Luminaire



1.2 Dimension



1.3 Inground Base (Optional)



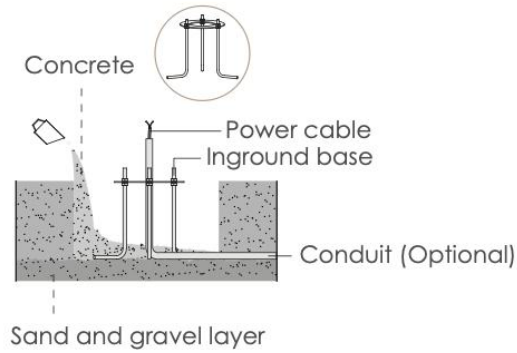
Data Sheet:

Input Voltage (V): 110-277

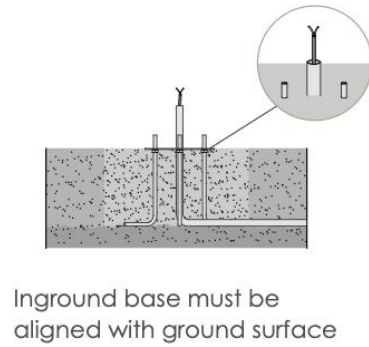
IK: 07

INSTALLATION OPTION 1: Anchor Mounted

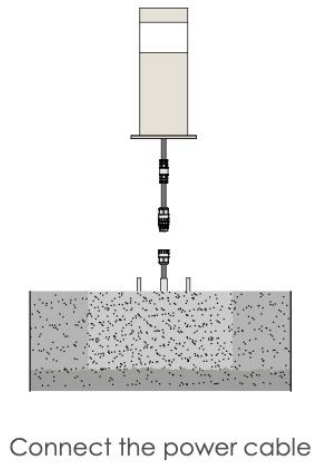
Step 1



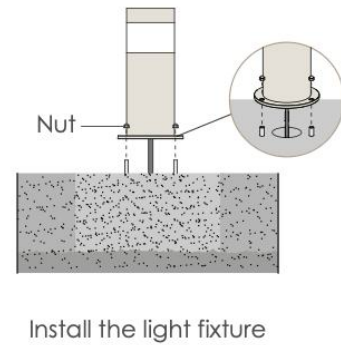
Step 2



Step 3

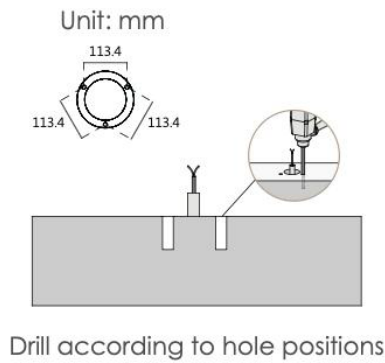


Step 4

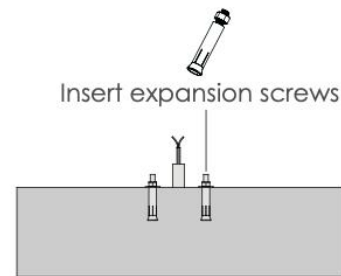


INSTALLATION OPTION 2: Surface Mounted

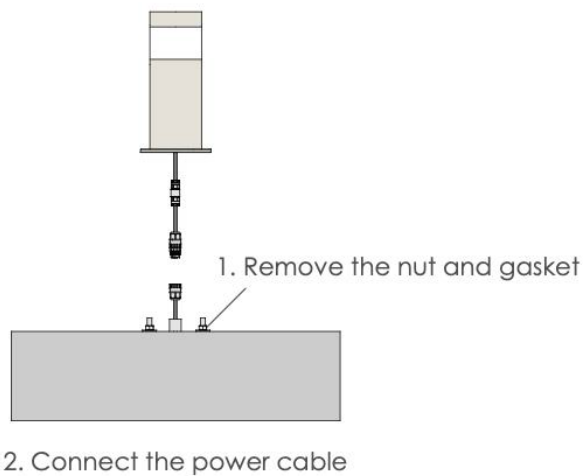
Step 1



Step 2



Step 3



Step 4

