



**BULLARD  
OUTDOOR**  
BUILT for the STORM

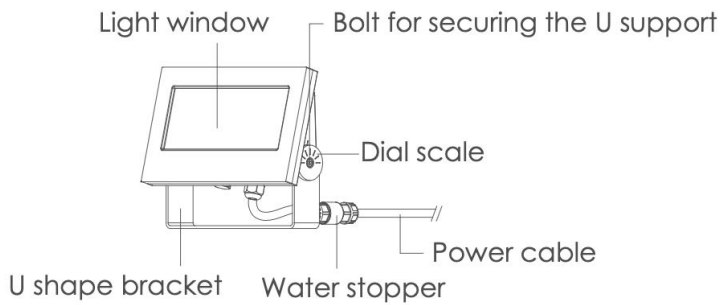
INSTALLATION INSTRUCTION  
01/28/2026

# ZANIS



## Exterior details

### Luminaire



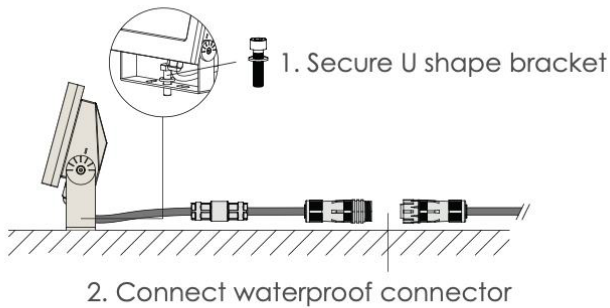
### Data Sheet:

Input Voltage (V): 110-277

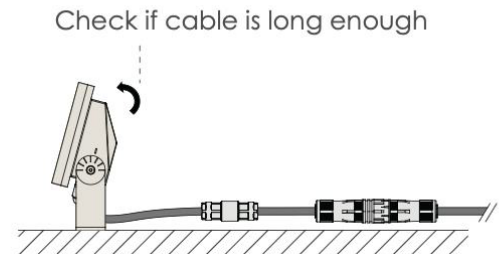
IK: 06

## Installation steps

### Step 1



### Step 2



P.2

[sales@gordonbullard.com](mailto:sales@gordonbullard.com)

[www.bullardoutdoor.com](http://www.bullardoutdoor.com)

1 877-964-4646



991 South Gull Lake Dr.

Richland, MI 49083

USA

