



FIXTURE TYPE: _____

PROJECT NAME: _____

NOTES:



GENERAL INFORMATION:

Snake is a luminous modular bench that has become an enduring icon of Bullard Outdoor. Defined by its fluid curves and minimalist silhouette, it brings refined contemporary elegance to hospitality, contract, and event environments. Its modular design allows for flexible compositions that shape and articulate indoor and outdoor spaces with both aesthetic coherence and functional clarity.

Crafted from polyethylene through rotational molding, Snake is engineered for durability in gardens, terraces, hotels, and lounge settings. In its luminous version, it transforms summer evenings with a sophisticated and atmospheric glow.

FIXTURE TYPE:

Illuminated Furniture

VOLTAGE:

110-277V

MATERIAL:

Polyethylene

IP RATING:

IP 55

IP 55

FINISHING:

Light white

WARRANTY:

Lighting products are warranted for 5 years.

APPLIANCE CLASS:

II



LOCATION:

Outdoor

sales@gordonbullard.com
 www.bullardoutdoor.com
 1-877-964-4646

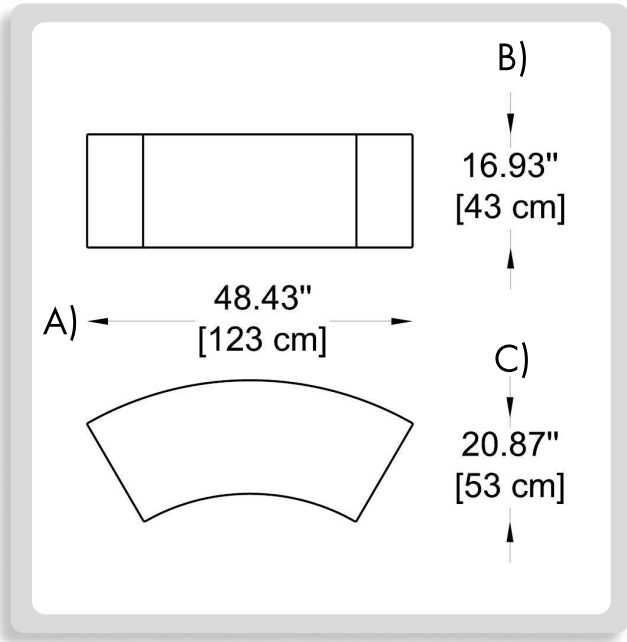


991 South Gull Lake Dr
 Richland, MI 49083
 USA

FIXTURE TYPE: _____

PROJECT NAME: _____

NOTES:



HOW TO ORDER:

CODE:

Example:
CODE: BO-SN120-SD

BO-SN120-SD

1 DIMENSIONS:

A) Length - L: 48,43" (123 cm)
B) Height - H: 16,93" (43 cm)
C) Width - W: 20,87" (53 cm)

2 LIGHT SOURCE:

E26 / 2 x max. 10W / 110-277V

3 FINISH OPTION:

Light white

4 WIRING:

Black cable (Length: 10 ft)

5 WEIGHT:

24,25 lb

sales@gordonbullard.com
www.bullardoutdoor.com
1-877-964-4646



991 South Gull Lake Dr
Richland, MI 49083
USA