



BULLARD
OUTDOOR
BUILT for the STORM

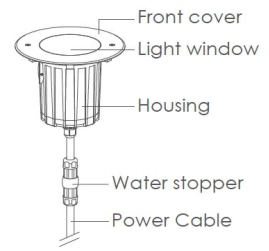
INSTALLATION INSTRUCTION
02/17/2026

BERILL



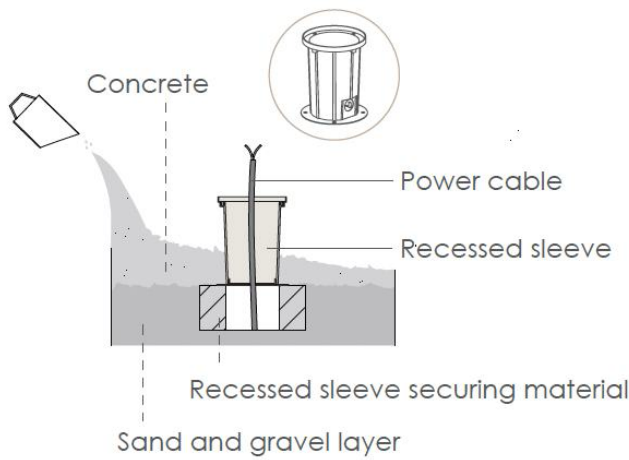
Data Sheet:

Input Voltage (V): 110-277
 IK 08 / 10

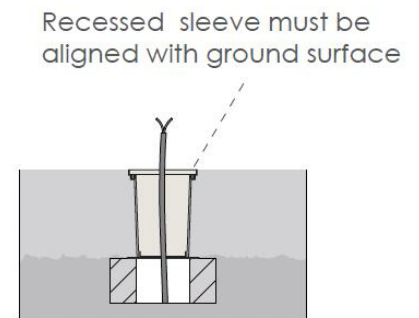


3. Installation steps

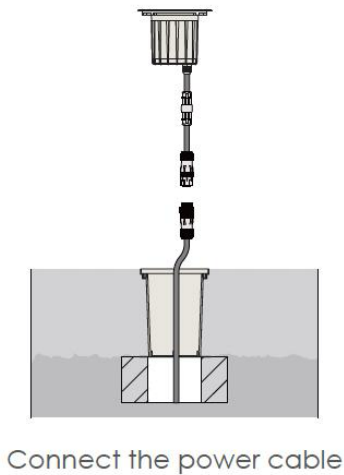
Step 1



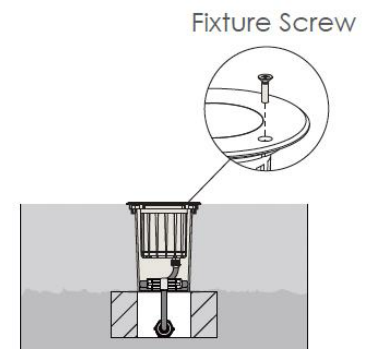
Step 2



Step 3



Step 4



P.2

sales@gordonbullard.com
www.bullardoutdoor.com
 1 877-964-4646



991 South Gull Lake Dr.
 Richland, MI 49083
 USA

