



FIXTURE TYPE: _____

PROJECT NAME: _____



GENERAL INFORMATION:

Orbix is GU-10 inground light features a robust die-casting aluminum construction with sleek stainless steel finish options, offering durability and style. With compatibility across a wide voltage range of 110-277V, Orbix ensures versatile installation options. With an IK rating of 10, Orbix guarantees durability and protection against impacts, making it an ideal choice for various outdoor environments.

FIXTURE TYPE:

Inground Luminaire - Compact/Mini

LIGHTING:

GU-10

VOLTAGE:

110-277V



MATERIAL:

12# Die-casting aluminium powder coated

CRI:

80

IP RATING:

IP 67



IK RATING:

IK 08

sales@gordonbullard.com
www.bullardoutdoor.com
1-877-964-4646

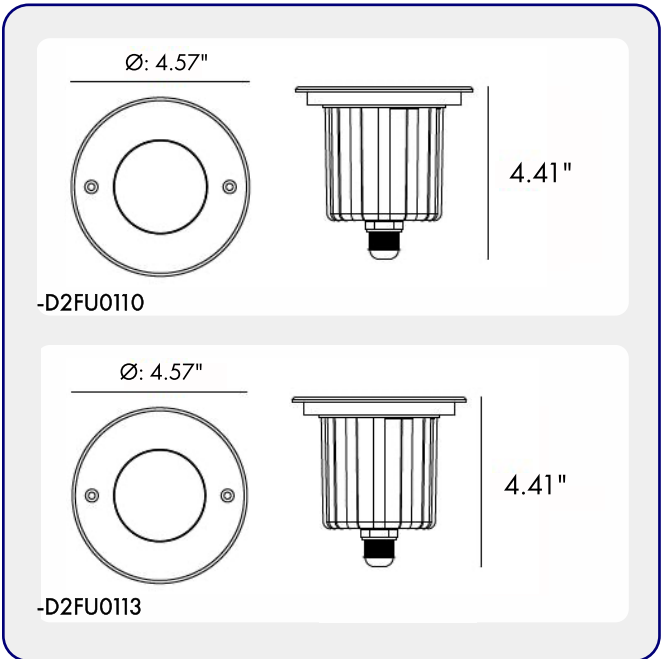


991 South Gull Lake Dr
Richland, MI 49083
USA

FIXTURE TYPE: _____

PROJECT NAME: _____

NOTES:



HOW TO ORDER:

CODE:

Example:
CODE: BO-OB-KPG-IL-XXX-XXX-XXX-XXX-XXX-XXX

BO-OB-KPG-IL-D2FU0110-K30-B10-

1 MODELS:

CODE -D2FU0110

DIMENSIONS:

Diameter - Ø: 4.57" (11.6 cm)
Height - H: 4.41" (11.2 cm)

LIGHT SOURCE:

GU-10 / IK 08 / 110-277V

CODE -D2FU0113

DIMENSIONS:

Diameter - Ø: 4.57" (11.6 cm)
Height - H: 4.41" (11.2 cm)

LIGHT SOURCE:

GU-10 / IK 08 / 110-277V

2 CCT OPTIONS:

-K30 3000K
-CUS Custom on request*

3 WATER PROOF SOLUTION: (optional)

-B

A Water-Stopper(Included)
IP-67 water-stopper is added in the end of luminaires as standard assembly which is also an important system for water resistance.

B IP67 Jiffy quick plug/socket connector(Optional)
IP-67 connector is as an Optional assembly and ensures that water vapor will not enter into luminaires directly.



sales@gordonbullard.com
www.bullardoutdoor.com
1-877-964-4646

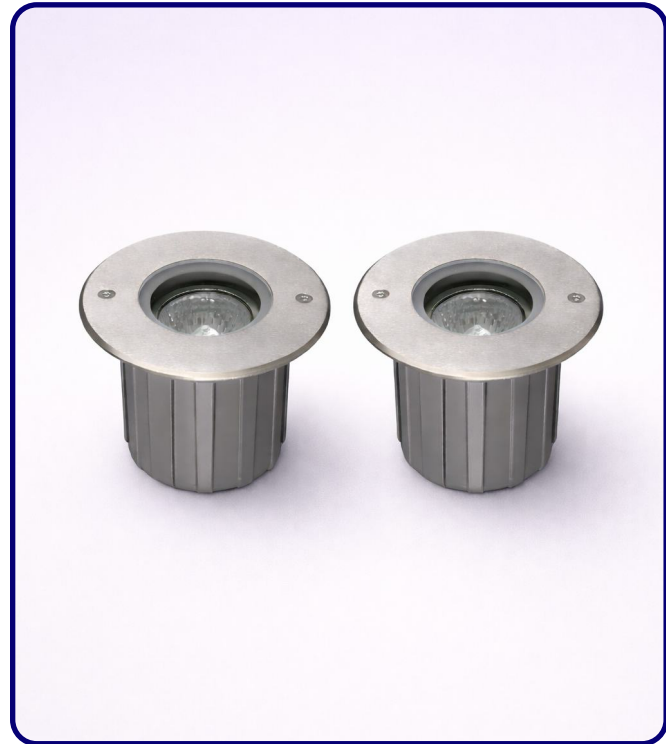


991 South Gull Lake Dr
Richland, MI 49083
USA

FIXTURE TYPE: _____

PROJECT NAME: _____

NOTES:



HOW TO ORDER:

CODE:

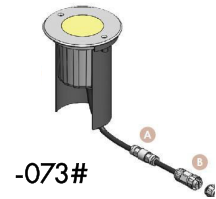
Example:
CODE: BO-OB-KPG-IL-XXX-XXX-XXX-XXX-XXX-XXX

BO-OB-KPG-IL-D2FU0110-K30-B10-

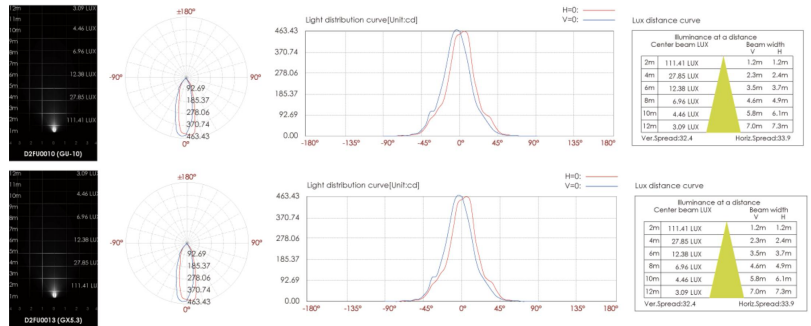
4 ACCESSORIES:

SLEEVE (OPTION 1)

SLEEVE (OPTION 2)



5 PHOTOMETRIC INFO:



sales@gordonbullard.com
www.bullardoutdoor.com
1-877-964-4646



991 South Gull Lake Dr
Richland, MI 49083
USA