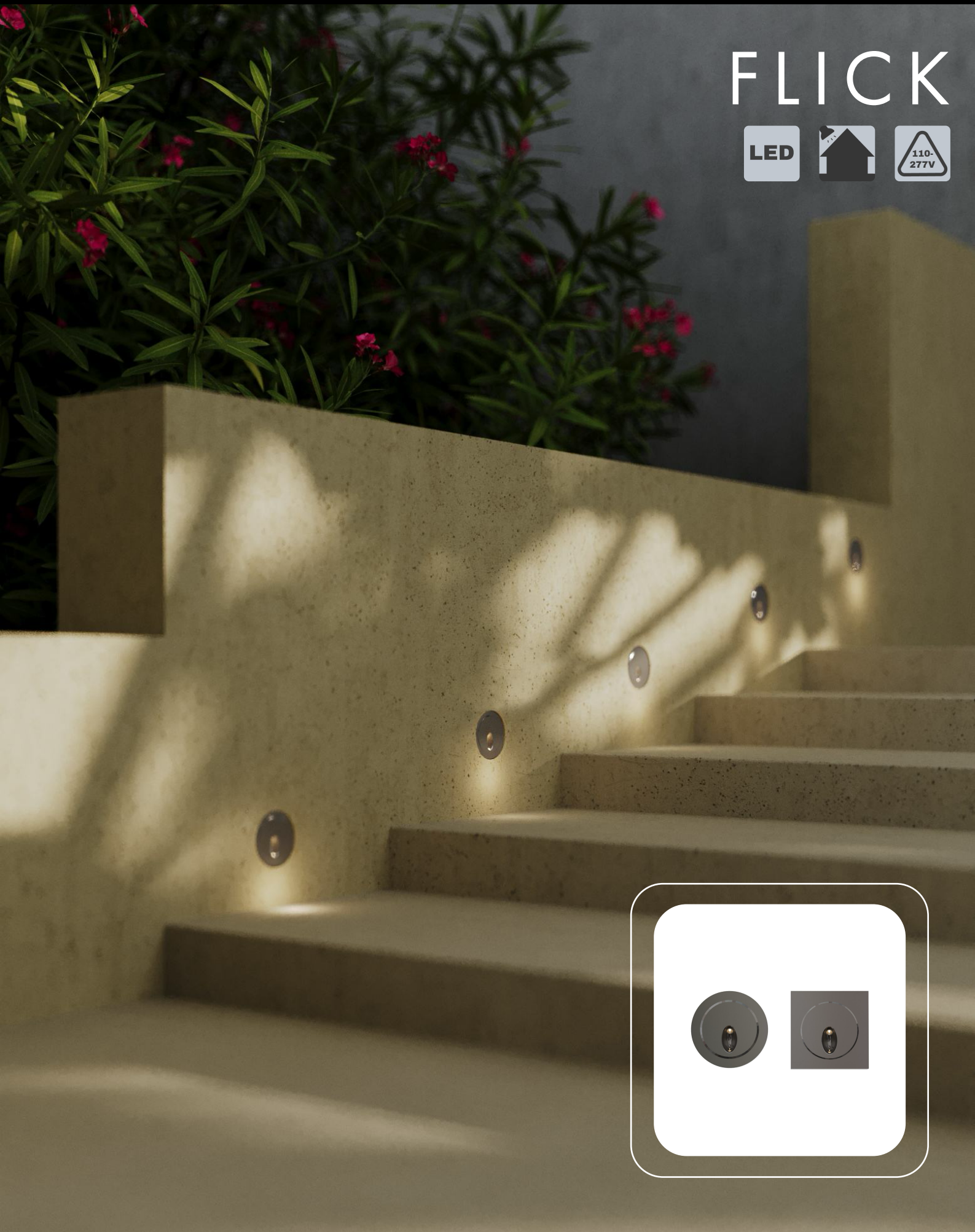
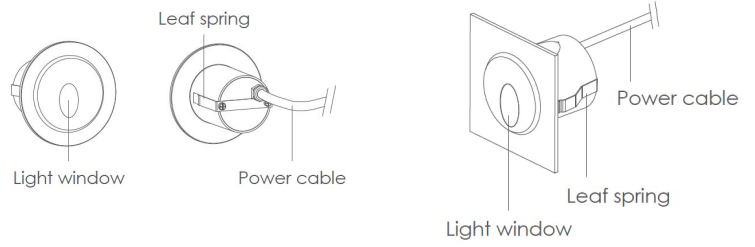


FLICK

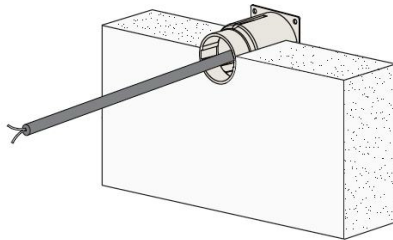


Data Sheet:
 Input Voltage (V): 110-277
 IK 10



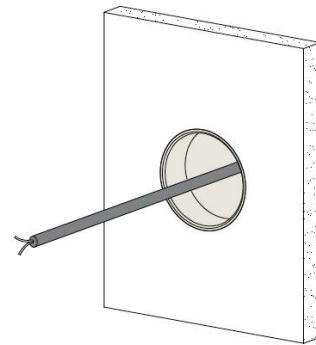
Installation steps

Step 1



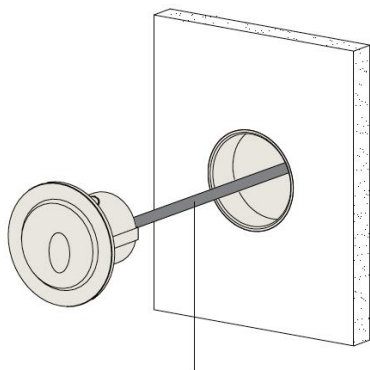
Secure the recessed sleeve

Step 2



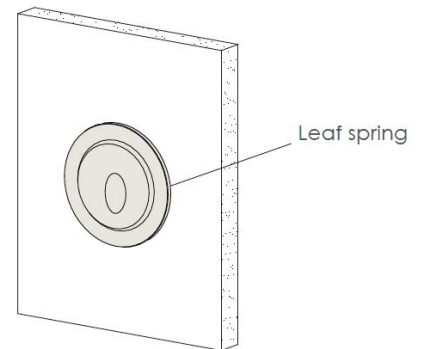
Finish the installation of concrete surface materials

Step 3



Connect the power cable

Step 4



Install the light fixture on the wall

P.2

sales@gordonbullard.com
www.bullardoutdoor.com
 1 877-964-4646



991 South Gull Lake Dr.
 Richland, MI 49083
 USA

