



FIXTURE TYPE: _____

PROJECT NAME: _____



GENERAL INFORMATION:

The Plux is an in-ground lighting fixture powered by LEDs and made from die-cast aluminum. It is available in three sizes with a Sanded Black finish option. The voltage range is 110-277V. Additionally, it is equipped with an IP67 water stopper, which is included as a standard assembly at the end of the luminaires.

FIXTURE TYPE:

Inground Luminaires - Adjustable Beam Angle

LIGHTING:

LED

LED

VOLTAGE:

110-277V



MATERIAL:

12# Die-casting dark grey powder coated aluminum

CRI:

80

IP RATING:

IP 68

IP68

IK RATING:

IK 08 / 09

sales@gordonbullard.com
www.bullardoutdoor.com
1-877-964-4646

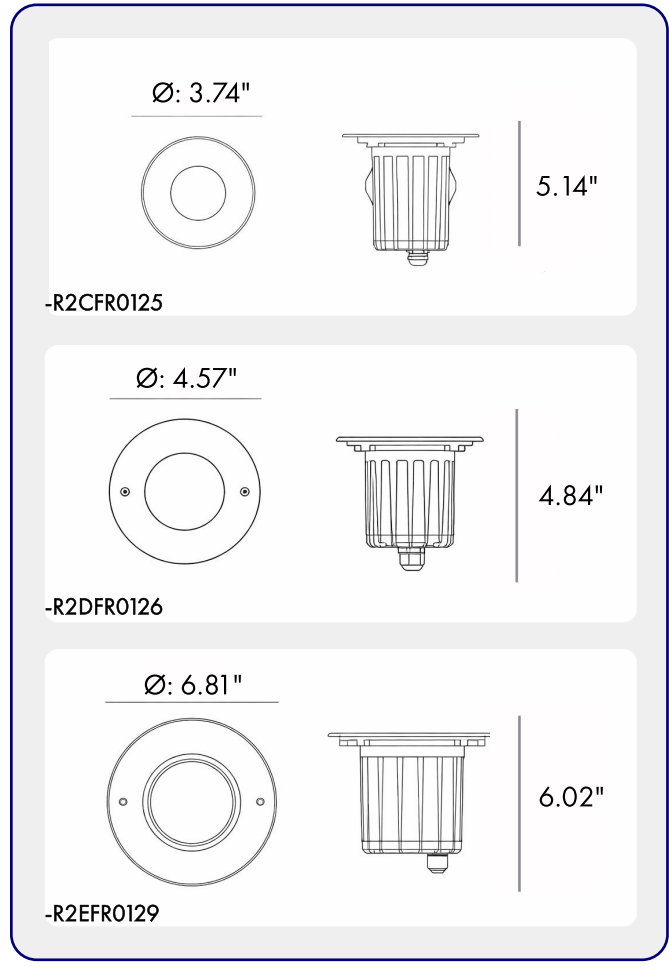


991 South Gull Lake Dr
Richland, MI 49083
USA

FIXTURE TYPE: _____

PROJECT NAME: _____

NOTES:



HOW TO ORDER: _____ **CODE:** _____

Example:
CODE: BO-PX-KPG-IL-XXX-XXX-XXX-XXX-XXX-XXX

BO-PX-KPG-IL-R2CFR0125-K30-R7-18-DIM-

1 MODELS:

CODE -R2CFR0125

DIMENSIONS:

Diameter - Ø: 3.74" (9.5 cm)
Height - H: 5.14" (13 cm)

LIGHT SOURCE:

LED / 1 x 5W / 88 mA / 441 lm / IK 08 / 110-277V

CODE -R2DFR0126

DIMENSIONS:

Diameter - Ø: 4.57" (11.6 cm)
Height - H: 4.84" (12.3 cm)

LIGHT SOURCE:

LED / 1 x 7W / 114 mA / 744 lm / IK 09 / 110-277V

CODE -R2EFR0129

DIMENSIONS:

Diameter - Ø: 6.81" (17.3 cm)
Height - H: 6.02" (15.3 cm)

LIGHT SOURCE:

LED / 1 x 12W / 102 mA / 1389 lm / IK 09 / 110-277V

2 CCT OPTIONS:

-K30 3000K
-CUS Custom on request*

3 BEAM ANGLE:

available only for -Ø: 3.74" size	available only for -Ø: 4.57" size	available only for -Ø: 6.81" size
-R7-18 18°	-R8-15 15°	-R18-12
-R7-24 24°	-R8-24 24°	-R18-22
-R7-32 32°	-R8-38 38°	-R18-35
	-R8-60 60°	-R18-55

sales@gordonbullard.com
www.bullardoutdoor.com
1-877-964-4646



991 South Gull Lake Dr
Richland, MI 49083
USA

FIXTURE TYPE: _____

PROJECT NAME: _____

NOTES:



LED

110-277V



IP68



HOW TO ORDER: _____ CODE: _____

Example:
CODE: BO-PX-KPG-IL-XXX-XXX-XXX-XXX-XXX-XXX

BO-PX-KPG-IL-R2CFR0125-K30-R7-18-DIM-

4 DIMMING OPTIONS:

- DIM 1-10V
- PWM Pulse Width Modulation
- DALI DALI (Digital Addressable Lighting Interface)

5 WATER PROOF SOLUTION: (optional)

-B

A Water-Stopper (Included)
IP-67 water-stopper is added in the end of luminaires as standard assembly which is also an important system for water resistance.

B IP67 Jiffy quick plug/socket connector (Optional)
IP-67 connector is as an Optional assembly and ensures that water vapor will not enter into luminaires directly.



6 ACCESSORIES:

- HONEYCOMB LOUVER (INCLUDED)**
- Mh005 -Ø: 3.74"
 - Mh006 -Ø: 4.57"
 - Mh007 -Ø: 6.81"



SLEEVE (OPTION 1) SLEEVE (OPTION 2)



- BOB -Ø: 3.74"
- B09 -Ø: 4.57"
- 066# -Ø: 6.81"



- 181# -Ø: 3.74"
- 083# -Ø: 4.57"

sales@gordonbullard.com
 www.bullardoutdoor.com
 1-877-964-4646



991 South Gull Lake Dr
 Richland, MI 49083
 USA

FIXTURE TYPE: _____

PROJECT NAME: _____

NOTES:



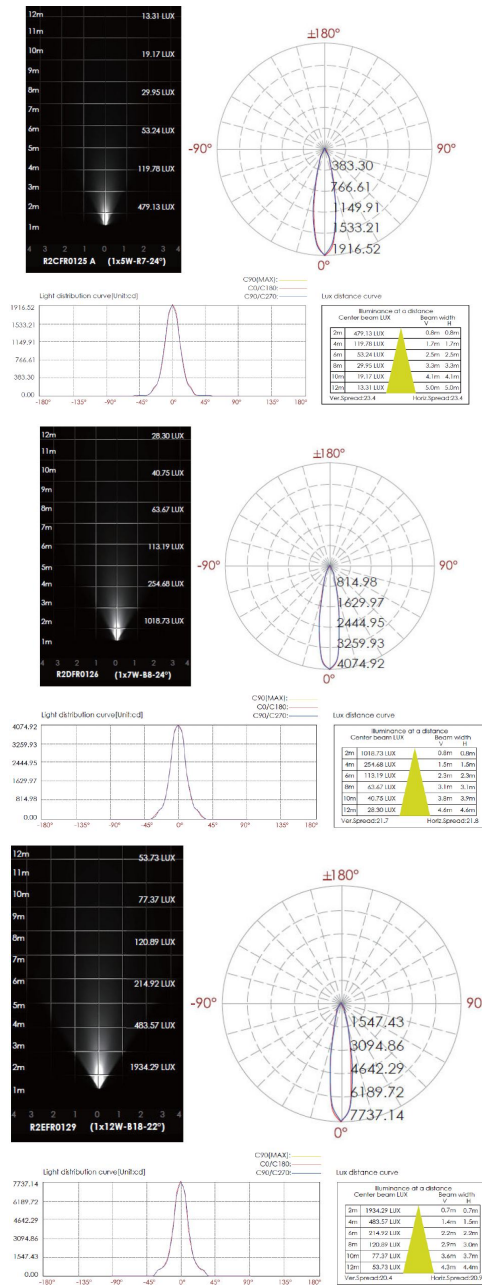
HOW TO ORDER:

CODE:

Example:
CODE: BO-PX-KPG-IL-XXX-XXX-XXX-XXX-XXX-XXX

BO-PX-KPG-IL-R2CFR0125-K30-R7-18-DIM-

7 PHOTOMETRIC INFO:



sales@gordonbullard.com
www.bullardoutdoor.com
1-877-964-4646



991 South Gull Lake Dr
Richland, MI 49083
USA