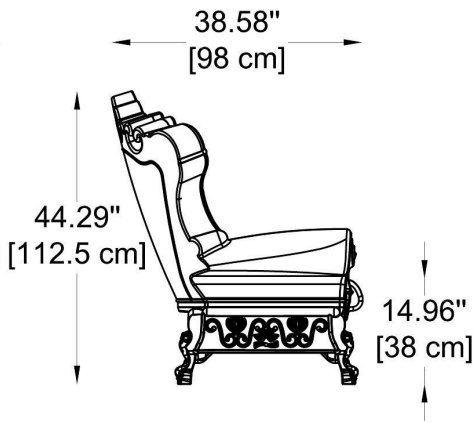
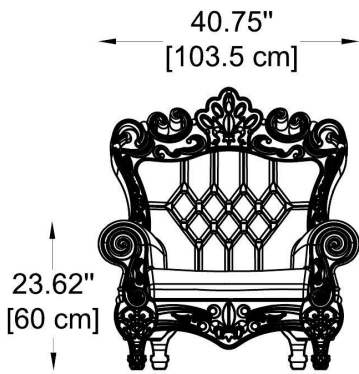




FIXTURE TYPE: _____

PROJECT NAME: _____

NOTES:



HOW TO ORDER:

CODE:

Example:
CODE: BO-QUE100-SD-MW

BO-QUE100-SD-MW

GENERAL INFORMATION:

Queen of Love is the unique armchair created by the designer Graziano Moro and Renato Pigatti. The iconic Queen of Love armchair is the first and the most loved product of the whole Design of Love collection: as a throne, Queen of Love crowns everyone who sits on it. Queen of Love is full of details, as typical baroque style, but it is contemporary, pop and ironic thanks to the material in which it is made, polyethylene. Queen of Love is elegant, attractive, pop and unforgettable, for this reason it is often the protagonist of tv shows and international events.

FIXTURE TYPE:

Non-Illuminated Furniture / Armchair

MATERIAL:

Polyethylene

DIMENSIONS:

L: 38.58" (98cm) x H: 44.29" (112.5 cm) x W: 40.75" (103.5 cm)

FINISH OPTIONS:

STANDARD COLOURS:

-MW Milky White		-PB Powder Blue	
-JB Jet Black		-MG Malva Green	
-EG Elephant Grey		-LG Lime Green	
-CB Chocolate Brown		-SY Saffron Yellow	
-AG Argil Grey		-PO Pumpkin Orange	
-DG Dove Grey		-FR Flame Red	
		-SF Sweet Fuchia	

LACQUERED (GLOSSY)

-AW-G Absolute White	
-GB-G Glamour Black	
-VG-G Vanity Grey	
-CI-G Charming Ivory	
-SR-G Supreme Red	
-MD-G Metallic Gold	
-MS-G Metallic Silver	
-MC-G Metallic Copper	

LACQUERED (MATT)

-AW-M Absolute White	
-GB-M Glamour Black	
-VG-M Vanity Grey	
-CI-M Charming Ivory	
-SR-M Supreme Red	
-MD-M Metallic Gold	
-MS-M Metallic Silver	
-MC-M Metallic Copper	

WEIGHT:

44.09 lb

sales@gordonbullard.com
www.bullardoutdoor.com
1-877-964-4646



991 South Gull Lake Dr
Richland, MI 49083
USA