



**BULLARD
OUTDOOR**
BUILT for the STORM

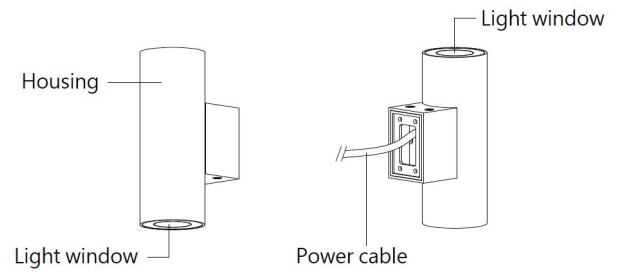
INSTALLATION INSTRUCTION
03/02/2026

HEL CURT



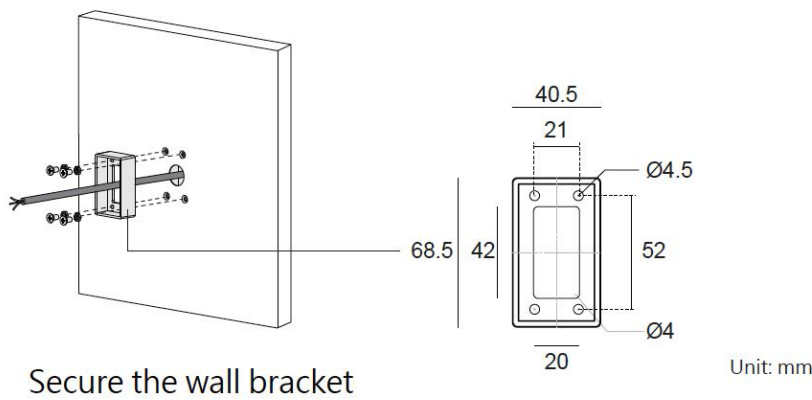
Data Sheet:

Input Voltage (V): 110-277
IK 05/IK 10

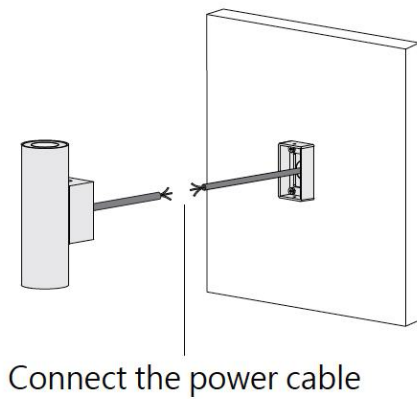


Installation steps

Step 1



Step 2



Step 3

