



**BULLARD
OUTDOOR**
BUILT for the STORM

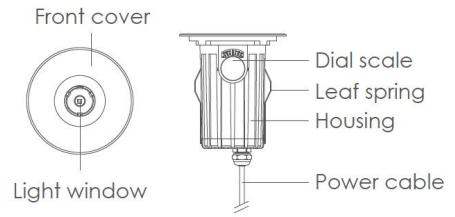
INSTALLATION INSTRUCTION
02/17/2026

ARBOR



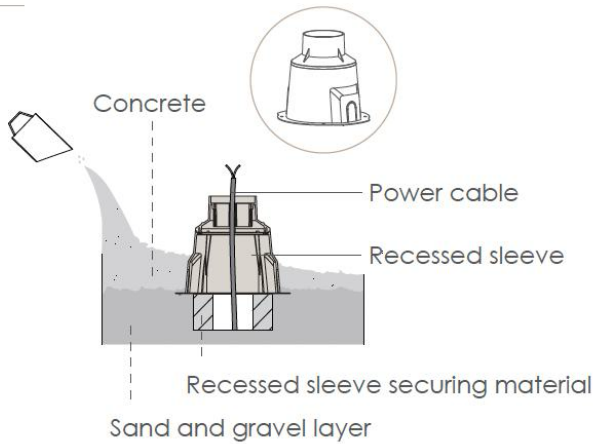
Data Sheet:

Input Voltage (V): 110-277
 IK 08 / 09/10

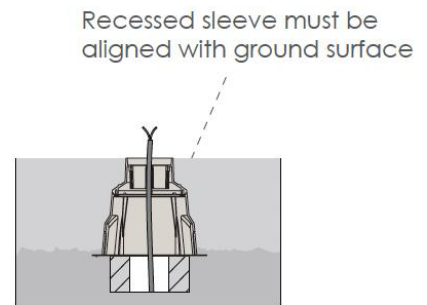


Installation steps

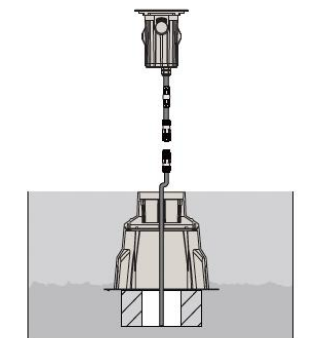
Step 1



Step 2



Step 3



Connect the power cable

Step 4

