



**BULLARD  
OUTDOOR**  
BUILT for the STORM

# INSTALLATION INSTRUCTION

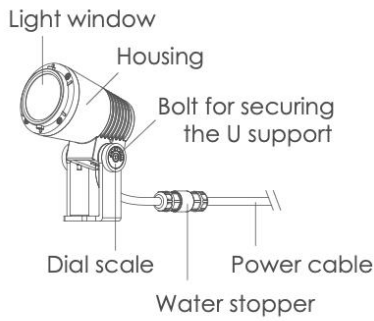
01/28/2026

# SARIN



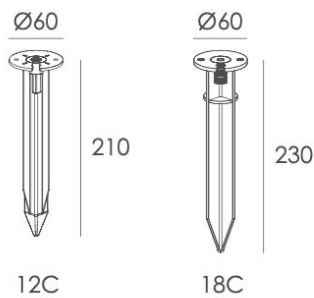
## Exterior details

### Luminaire

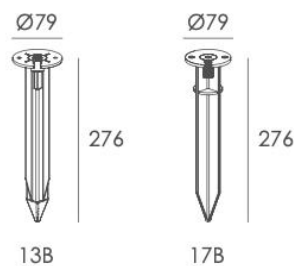


### Optional accessories

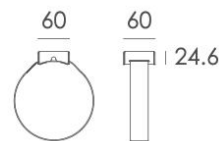
#### Spike



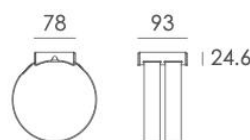
#### Spike



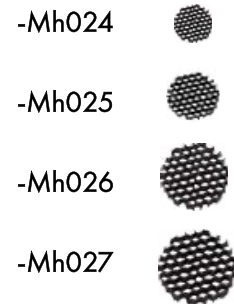
#### Tree pole strap



#### Tree pole strap



#### Honeycomb Louver



#### Bevel cut hood



## Data Sheet:

Input Voltage (V): 110-277  
IK: 05

P.2

[sales@gordonbullard.com](mailto:sales@gordonbullard.com)  
[www.bullardoutdoor.com](http://www.bullardoutdoor.com)  
1 877-964-4646

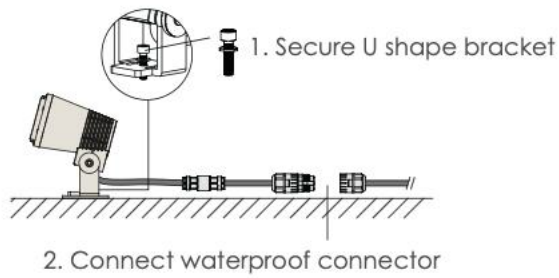


991 South Gull Lake Dr.  
Richland, MI 49083  
USA

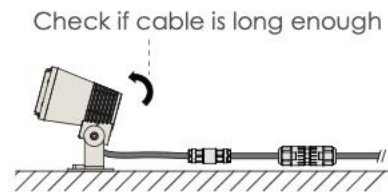


## Installation steps

### Step 1

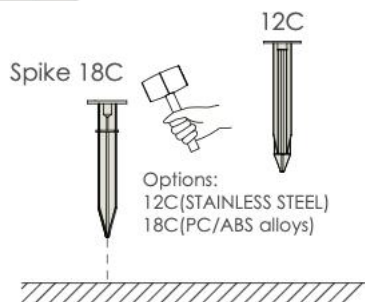


### Step 2

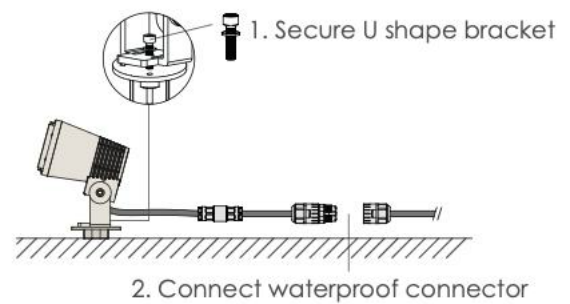


## Accessories assemble - Spike

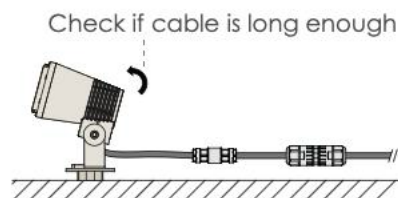
### Step 1



### Step 2

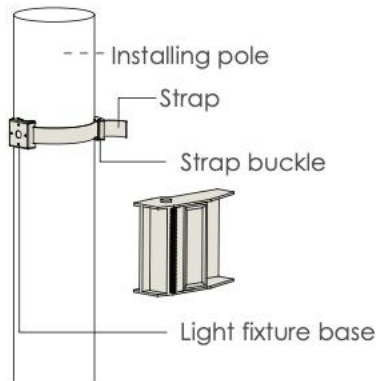


### Step 3

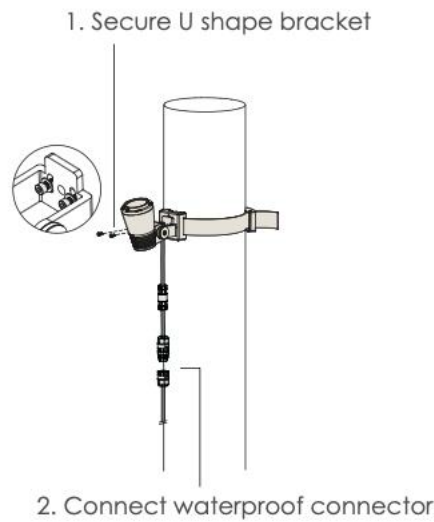


## Accessories assemble - Tree pole strap

### Step 1



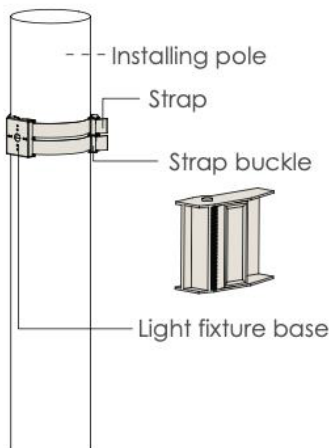
### Step 2



### Step 3



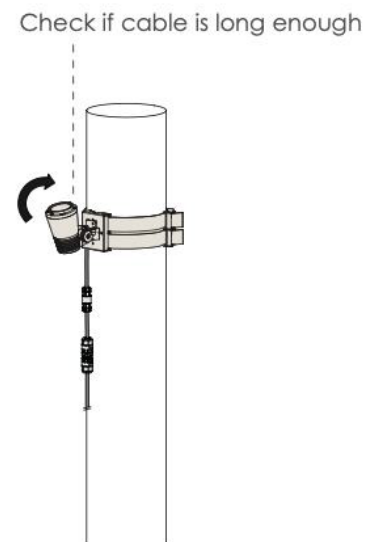
### Step 1



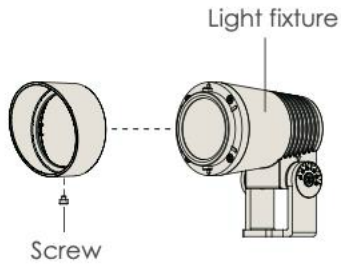
### Step 2



### Step 3



## Accessories assemble - Bevel cut hood



P.5

[sales@gordonbullard.com](mailto:sales@gordonbullard.com)  
[www.bullardoutdoor.com](http://www.bullardoutdoor.com)  
1 877-964-4646



991 South Gull Lake Dr.  
Richland, MI 49083  
USA

