



**BULLARD**  
**OUTDOOR**  
BUILT for the STORM



# ASTRO

Outdoor Kitchen



Fixture Type:

Project Name:

Notes:

HOW TO ORDER:

CODE:

**Example:  
CODE: BO-AST-BN-OK**

**BO-AST-BN-OK**

**General Information:**

ASTRO - Steel Barbecue

A sculptural outdoor cooking system defined by its open half-sphere form. Astro combines fire, material, and geometry into a compact architectural presence. Designed for wood-fired cooking on a 1.18" lava stone plate, with optional electric or induction configurations, it adapts effortlessly to different cooking styles. The food-grade stainless steel work surface ensures durability and hygiene, while the walnut-toned travertine base integrates discreet firewood storage—balancing utility with refined aesthetics.

Stable on any terrain thanks to adjustable feet, Astro is both a functional tool and a statement piece.

**Material:**

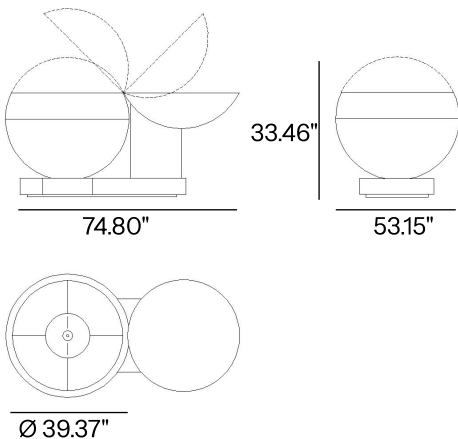
Travertine marble base, food-grade stainless steel - support surface and grill

**Dimensions:**

Closed: W 53.15" × Ø 39.37" × H 33.46"  
Open: W 74.80" × Ø 39.37" × H 33.46"  
Cooking surface: Ø 14.57"

**Finish Options:**

- Ivory
- Anthracite
- Custom
- Corten Created through a carefully controlled natural oxidation process, manually induced over several days, resulting in the distinctive protective patina.




Due to the dynamic nature of lighting products and the associated technologies, luminaire data on all specification sheets is subject to change at the discretion of Gordon Bullard LLC and associated companies.

**BUILT FOR THE STORM**

[sales@gordonbullard.com](mailto:sales@gordonbullard.com) / [www.bullardoutdoor.com](http://www.bullardoutdoor.com) / 1-877-964-4646  
991 South Gull Lake Dr Richland, MI 49083 USA

Fixture Type:

Project Name:

Notes:

HOW TO ORDER: \_\_\_\_\_ CODE: \_\_\_\_\_

**Example:**  
**CODE: BO-AST-BN-OK**

**BO-AST-BN-OK**

**Accessories:**

- Food-Grade Stainless Steel Grill, Ø: 14.57"
- Grey Waterproof Fabric Cover

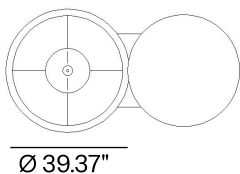
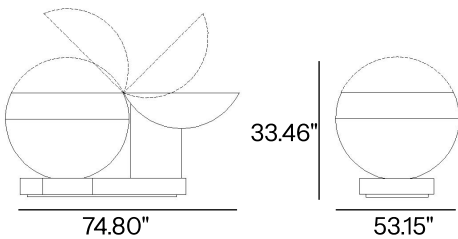


**Etna Lava Stone:**

Etna lava stone is a natural basaltic volcanic rock formed as lava from Mount Etna cools and solidifies. Rich in iron, magnesium, feldspars, and volcanic minerals, it has a dense, strong structure with excellent heat performance. Its color ranges from dark grey to black, sometimes with bluish or metallic reflections.

The stone is valued for its high heat resistance, even heat distribution, and long thermal retention, making it ideal as a natural cooking surface for barbecues, ovens, and wood-fired cooking. Once heated, it cooks food uniformly without hot spots and allows healthy, fat-free preparation of meat, fish, vegetables, bread, and pizza.

For best results, heat the stone gradually over wood embers to avoid thermal shock. The ideal cooking temperature is generally 482-662 °F. After use, let it cool completely, then clean with warm water and a brush. Avoid aggressive detergents; lemon juice can help remove residual odors.




Due to the dynamic nature of lighting products and the associated technologies, luminaire data on all specification sheets is subject to change at the discretion of Gordon Bullard LLC and associated companies.

**BUILT FOR THE STORM**

[sales@gordonbullard.com](mailto:sales@gordonbullard.com) / [www.bullardoutdoor.com](http://www.bullardoutdoor.com) / 1-877-964-4646  
991 South Gull Lake Dr Richland, MI 49083 USA

**RELATED PRODUCTS:**



**Part Number:**

BO-BSO-BN-OK



**Part Number:**

BO-BLO-BN-OK



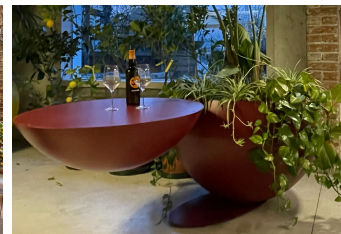
**Part Number:**

BO-CSO-BN-OK



**Part Number:**

BO-ENZ-BN-OK



**Part Number:**

BO-TVL-BN-OK



Due to the dynamic nature of lighting products and the associated technologies, luminaire data on all specification sheets is subject to change at the discretion of Gordon Bullard LLC and associated companies.

**BUILT FOR THE STORM**

[sales@gordonbullard.com](mailto:sales@gordonbullard.com) / [www.bullardoutdoor.com](http://www.bullardoutdoor.com) / 1-877-964-4646

991 South Gull Lake Dr Richland, MI 49083 USA