



FIXTURE TYPE: _____

PROJECT NAME: _____



GENERAL INFORMATION:

The NAVI Bollard by Bullard Outdoor combines sleek geometry with superior outdoor performance, offering precise and contemporary illumination for pathways and landscapes. Crafted from die-cast aluminum with a durable powder-coated finish, it ensures long-lasting protection against corrosion and the elements. Its PMMA lens provides focused, efficient LED lighting with a CRI of 80, delivering clarity and visual comfort. Operating on a universal 110–277V input, the NAVI Bollard is built to endure with IP65 weather protection and IK08 impact resistance. Available in sanded bronze, dark gray, and black finishes.

FIXTURE TYPE:

Bollard

LIGHTING

LED

LED

VOLTAGE:

110-277V

110-277V

MATERIAL:

Die-casting powder coated aluminum

LENS:

PMMA

CRI:

80

IP RATING:

IP 65

IP65

IK RATING:

IK 08

FINISHING:

Sanded Bronze
Sanded Dark Gray
Sanded Black

BUILT FOR THE STORM

sales@gordonbullard.com

www.bullardoutdoor.com

1-877-964-4646



991 South Gull Lake Dr

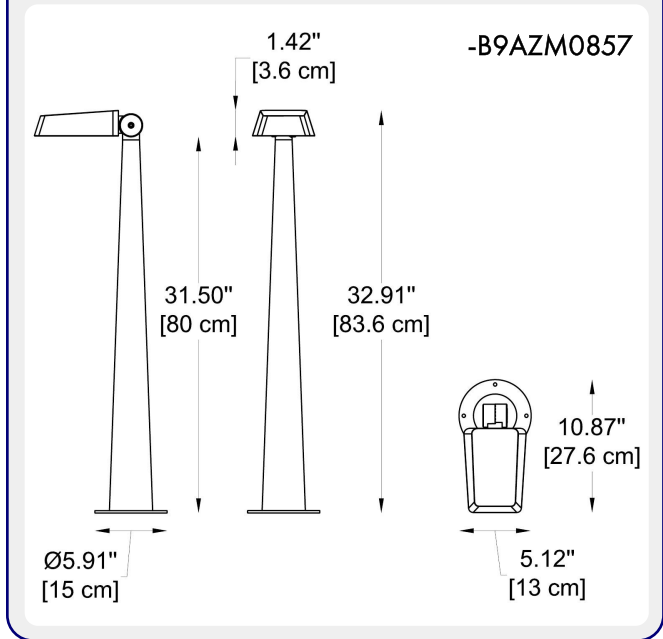
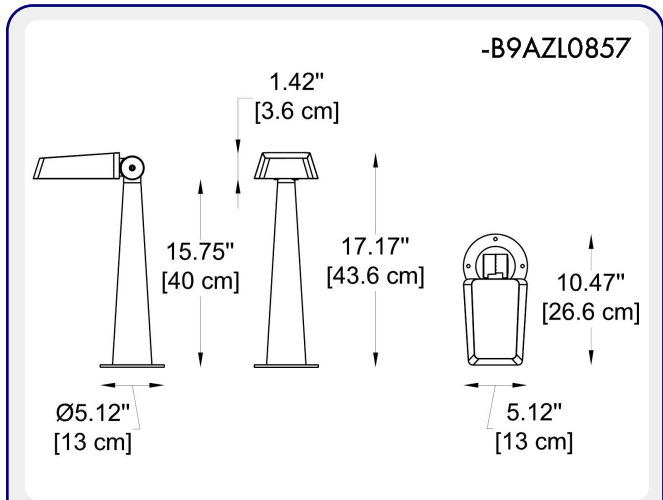
Richland, MI 49083

USA

FIXTURE TYPE: _____

PROJECT NAME: _____

NOTES:



HOW TO ORDER:

CODE:

Example:
CODE: BO-NV-KPG-BL-XXX-XXX-XXX-XXX-XXX

BO-NV-KPG-BL-
B9AZL0857-K30-
KAP7008-A10-10-DIM-IB

1 **MODELS:**

CODE -B9AZL0857

DIMENSIONS:

Height - H: 17.17" (43.6 cm)
Base plate - Ø: 5.12" (13 cm)

LIGHT SOURCE:

LED / 14.2W / 115 mA / 1210 lm / 110-277V

CODE -B9AZM0857

DIMENSIONS:

Height - H: 32.91" (83.6 cm)
Base plate - Ø: 5.91" (15 cm)

LIGHT SOURCE:

LED / 14.2W / 115 mA / 1210 lm / 110-277V

2 **CCT OPTIONS:**

-K30 3000K
-CUS Custom on request*

3 **FINISH OPTIONS:**

-KAP7008 Sanded Bronze
-KAP7037 Sanded Dark Gray
-RAL9005 Sanded Black

4 **BEAM ANGLE:**

-A10-10 10°
-A10-20 20°
-A10-50 50°

5 **DIMMING OPTIONS:**

-DIM 1-10V
-PWM Pulse Width Modulation
-DALI DALI (Digital Addressable Lighting Interface)

sales@gordonbullard.com
www.bullardoutdoor.com
1-877-964-4646



991 South Gull Lake Dr
Richland, MI 49083
USA

FIXTURE TYPE: _____

PROJECT NAME: _____

NOTES:



HOW TO ORDER:

CODE:

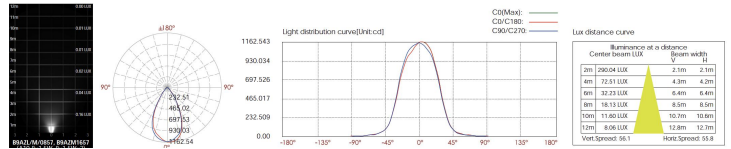
Example:
CODE: BO-NV-KPG-BL-XXX-XXX-XXX-XXX-XXX

BO-NV-KPG-BL-
B9AZL0857-K30-
KAP7008-A10-10-DIM-IB

6 INSTALLATION TYPE:

- SB Screw Base (included)
- IB Inground Base (optional)
- GAB Ground Anchor Base (optional)

7 PHOTOMETRIC INFO:



sales@gordonbullard.com
 www.bullardoutdoor.com
 1-877-964-4646



991 South Gull Lake Dr
 Richland, MI 49083
 USA