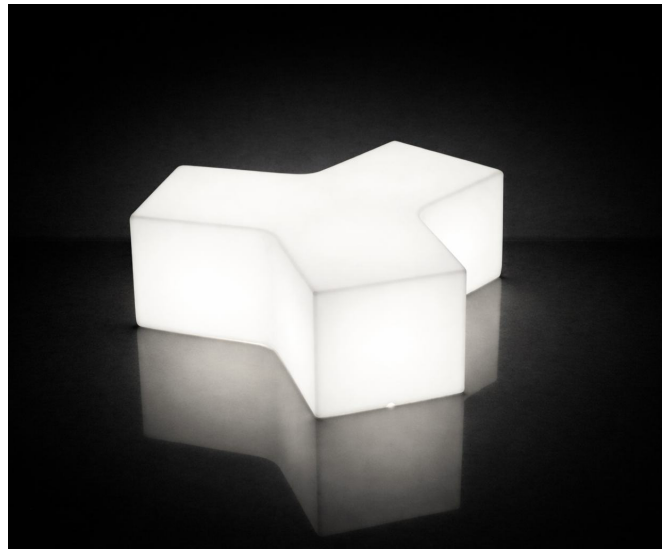




FIXTURE TYPE: \_\_\_\_\_

PROJECT NAME: \_\_\_\_\_

NOTES:



**GENERAL INFORMATION:**

Ypsilon is a sculptural modular bench defined by its fluid curvature and luminous presence. Designed to articulate indoor and outdoor environments, it enhances private landscapes as well as contemporary hospitality and contract spaces.

Inspired by the form of the Greek letter, Ypsilon seamlessly integrates with other Slide luminous seating elements, including Snake and Cubo, enabling the creation of bespoke compositions with a refined architectural character.

**FIXTURE TYPE:**

Illuminated Furniture

**VOLTAGE:**

110-277V

**MATERIAL:**

Polyethylene

**IP RATING:**

IP 55

IP 55

**FINISHING:**

Light white

**WARRANTY:**

Lighting products are warranted for 5 years.

**APPLIANCE CLASS:**

II



**LOCATION:**

Outdoor

sales@gordonbullard.com  
www.bullardoutdoor.com  
1-877-964-4646

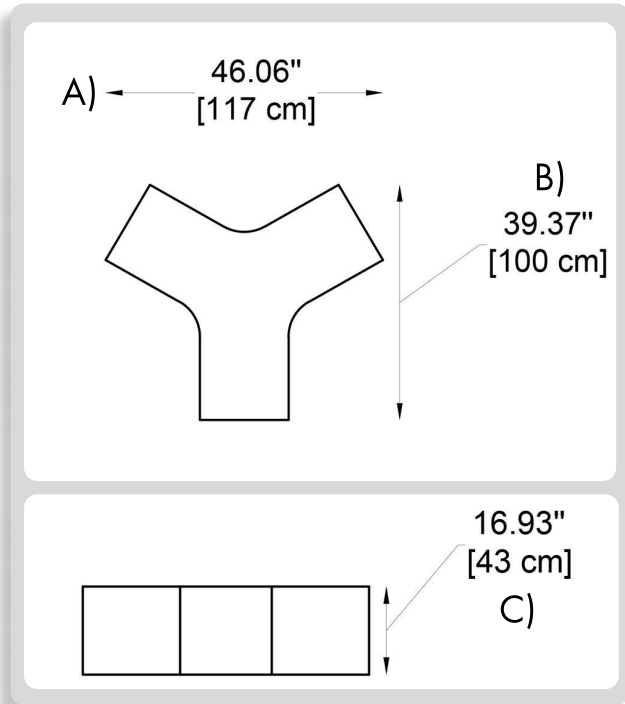


991 South Gull Lake Dr  
Richland, MI 49083  
USA

FIXTURE TYPE: \_\_\_\_\_

PROJECT NAME: \_\_\_\_\_

NOTES:



**HOW TO ORDER:**

**CODE:**

<b>Example:</b> <b>CODE: BO-YP-SD</b>	<b>BO-YP-SD</b>
--	-----------------

**1 DIMENSIONS:**

A) Length - L: 46,06" (117 cm)  
 B) Height - H: 16,93" (43 cm)  
 C) Width - W: 39,37" (100 cm)

**2 LIGHT SOURCE:**

E26 / 3 x max. 10W / 110-277V

**3 FINISH OPTION:**

Light white

**4 WIRING:**

Black cable (Length: 10 ft)

**5 WEIGHT:**

33,06 lb