



FIXTURE TYPE: _____

PROJECT NAME: _____



GENERAL INFORMATION:

Socar is LED inground light, crafted from robust die-casting aluminum with sleek stainless steel finish options, offers precise illumination and durability. With a selected degree of 20° and a B33 lens, Socar delivers efficient lighting with customizable dimming options via 1-10V and DALI. With an IK rating of 10, Socar guarantees durability and protection against impacts, making it ideal for various outdoor environments.

FIXTURE TYPE:

Wood Floor / Deck

LIGHTING:

LED

LED

VOLTAGE:

110-277V

110-277V

MATERIAL:

12# Die-casting aluminium powder coated

CRI:

80

IP RATING:

IP 67

IP67

IK RATING:

IK 08

sales@gordonbullard.com
www.bullardoutdoor.com
1-877-964-4646

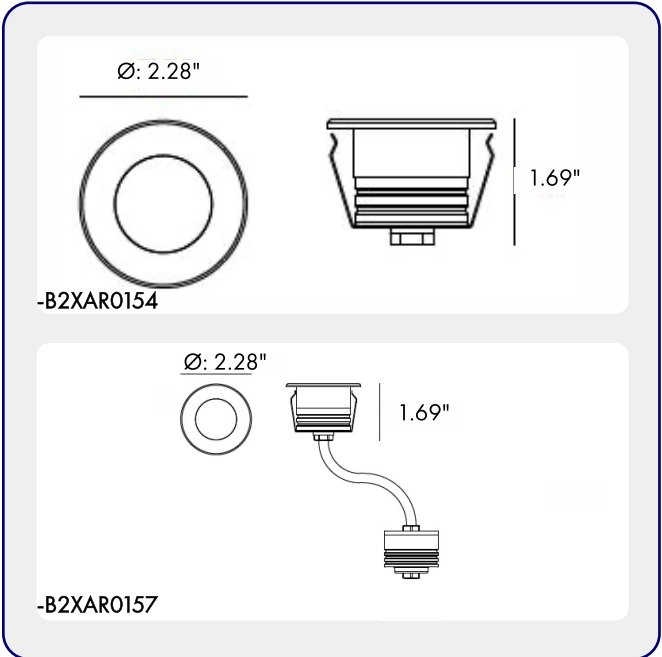


991 South Gull Lake Dr
Richland, MI 49083
USA

FIXTURE TYPE: _____

PROJECT NAME: _____

NOTES:



HOW TO ORDER: _____ CODE: _____

Example:
CODE: BO-SC-KPG-IL-XXX-XXX-XXX-XXX-XXX-XXX

BO-SC-KPG-IL-B2XAR0154-K30-DIM-

1 MODELS:

CODE -B2XAR0154

DIMENSIONS:

Diameter - Ø: 2.28" (5.8 cm)
Height - H: 1.69" (4.3 cm)

LIGHT SOURCE:

LED / 1 x 2W / 100 mA / 130 lm / IK 08 / 110-277V

CODE -B2XAR0157

DIMENSIONS:

Diameter - Ø: 2.28" (5.8 cm)
Height - H: 1.69" (4.3 cm)

LIGHT SOURCE:

LED / 1 x 2W / 100 mA / 155 lm / IK 08 / 110-277V

2 CCT OPTIONS:

-K30 3000K
-CUS Custom on request*

3 DIMMING OPTIONS:

-DIM 1-10V
-PWM Pulse Width Modulation
-DALI DALI (Digital Addressable Lighting Interface)

4 WATER PROOF SOLUTION: (optional)

-B B2XAR0157
B Water proof connector IP67(Optional)



sales@gordonbullard.com
www.bullardoutdoor.com
1-877-964-4646



991 South Gull Lake Dr
Richland, MI 49083
USA

NOTES:



INSTALLATION DIAGRAM



HOW TO ORDER:

CODE:

Example:
CODE: BO-SC-KPG-IL-XXX-XXX-XXX-XXX-XXX-XXX

BO-SC-KPG-IL-B2XAR0154-K30-DIM-

5 ACCESSORIES:

HONEYCOMB LOUVER
(OPTIONAL)

-Mh021



6 OPTICS:

available only for
-B2XAR0154 model

available only for
-B2XAR0157 model

available only for
-B2XAR0157 model

-B34D-30 30°

-B33-9 9°

-B73-30 30°

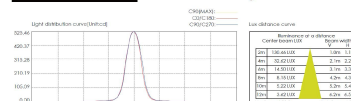
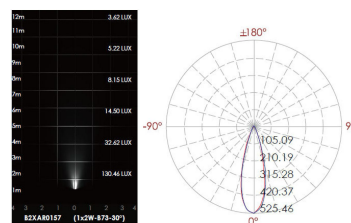
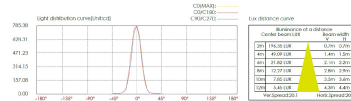
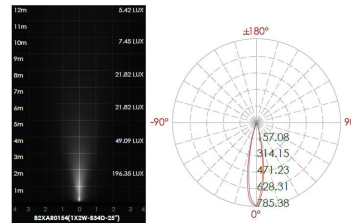
-B33-15 15°

-B33-20 20°

-B33-45 45°

-B33-60 60°

7 PHOTOMETRIC INFO:



sales@gordonbullard.com
www.bullardoutdoor.com
1-877-964-4646

991 South Gull Lake Dr
Richland, MI 49083
USA