

THE SANDPIPER

Park/Urban/Garden Pole Luminaires



FIXTURE TYPE: _____

PROJECT NAME: _____

-BODVC0227



-BODVC0327



GENERAL INFORMATION:

THE SANDPIPER by Bullard Outdoor blends architectural presence with dependable outdoor performance. Defined by a tall, minimal pole and adjustable cylindrical spotlight heads, its clean, utilitarian design is ideal for parking areas, plazas, pathways, and large-scale architectural exteriors. The multi-head configuration allows for targeted illumination across wide outdoor spaces.

Constructed from die-cast aluminum with a durable powder-coated finish, THE SANDPIPER is engineered for long-term outdoor use with excellent corrosion resistance. It features efficient LED lighting delivering controlled, focused light with a CRI of 80. Designed to operate on 110–277V, it offers reliable protection with an IP65 weather rating and IK07 impact resistance. Available in sanded black and dark gray finishes.

FIXTURE TYPE:

Park And Garden Pole Luminaires

LIGHTING

LED

LED

VOLTAGE:

110-277V

110-277V

MATERIAL:

Die-casting aluminum finishing

LENS:

B57

CRI:

80

IP RATING:

IP 65

IP65

IK RATING:

IK 07



BUILT FOR THE STORM

sales@gordonbullard.com

www.bullardoutdoor.com

1-877-964-4646



991 South Gull Lake Dr

Richland, MI 49083

USA

FIXTURE TYPE: _____

PROJECT NAME: _____

NOTES:

-BODVC0227



-BODVC0327



HOW TO ORDER:

CODE:

Example:
CODE: BO-ST-KPG-PL-BODVC0227 -K30-KAP7037-DIM-B15-A1-IB

BO-ST-KPG-PL-
BODVC0227-K30-
KAP7037-DIM-B15-A1-IB

1 MODELS:

CODE-BODVC0227

DIMENSIONS:

Pole Base - B: 1.57" (4 cm)X1.57"(4 cm)
Height - H: 47.24" (120 cm)

LIGHT SOURCE:

LED /20 W / 90 mA / 1584 lm / 110-277V

CODE -BODVC0327

DIMENSIONS:

Pole Base - B: 1.57" (4 cm)
Height - H: 59.06" (150 cm)

LIGHT SOURCE:

LED /30 W / 135 mA / 2376 lm / 110-277V

2 CCT OPTIONS:

-K30 3000K
-CUS Custom on request*

3 FINISH OPTIONS:

-KAP7037 Sanded Dark Gray
-RAL9005 Sanded Black

4 DIMMING OPTIONS:

-DIM 1-10V
-PWM Pulse Width Modulation
-DALI DALI (Digital Addressable Lighting Interface)



sales@gordonbullard.com
www.bullardoutdoor.com
1-877-964-4646

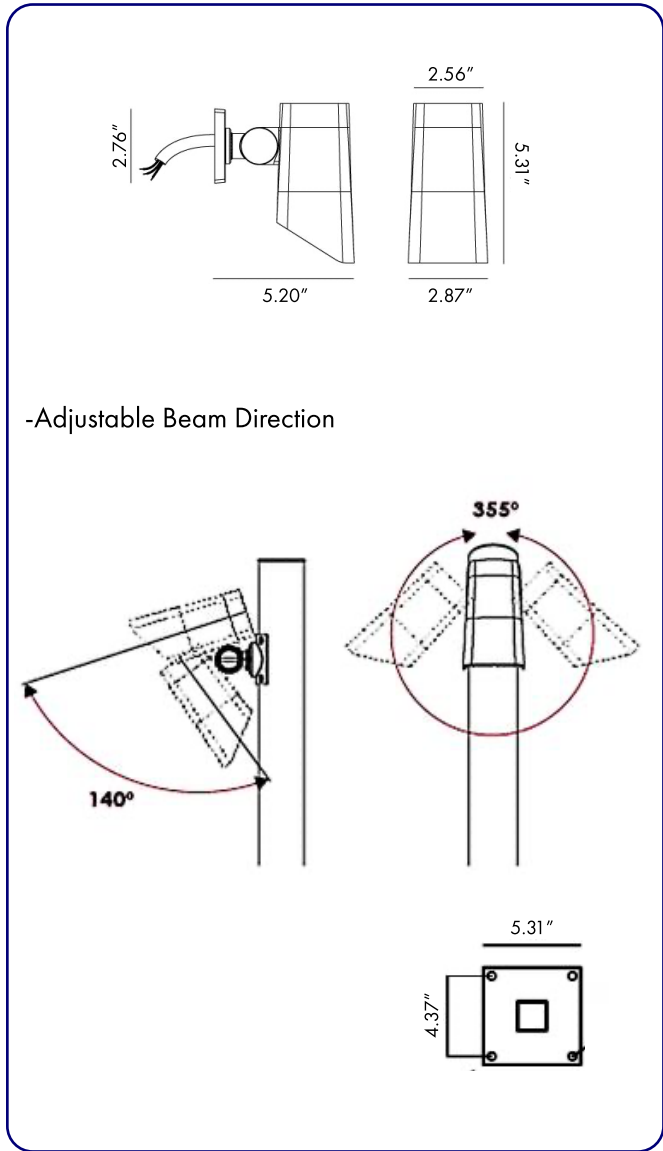


991 South Gull Lake Dr
Richland, MI 49083
USA

FIXTURE TYPE: _____

PROJECT NAME: _____

NOTES:



-Adjustable Beam Direction



HOW TO ORDER:

CODE:

Example:
CODE: BO-ST-KPG-PL-B0DVC0227 -K30-KAP7037-DIM-B15-A1-1B

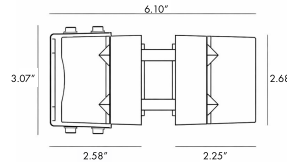
BO-ST-KPG-PL-
B0DVC0227-K30-
KAP7037-DIM-B15-A1-1B

5 BEAM

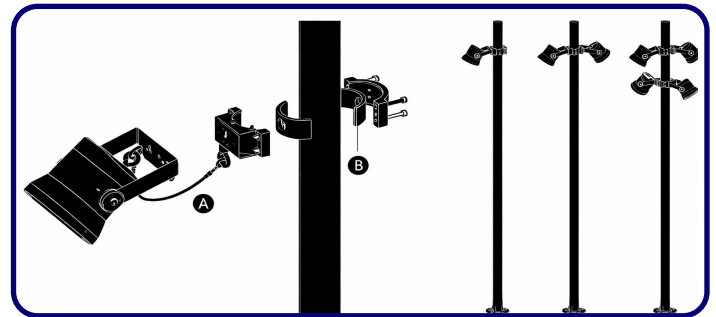
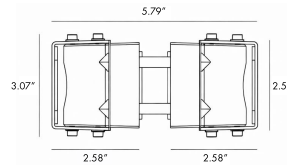
- B15 15°
- B24 24°
- B33 33°
- B45 45°

6 ACCESSORIES

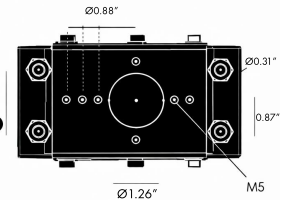
-A1 One side - BO-RP001-KPG-BL



-A2 Two sides - BO-RP002-KPG-BL



- 1 Compatible with all brands and models.
- 2 Safety hook(s) included (see A of image 1)
- 3 Two sizes of rubber gaskets included (see B of image 1) which can be selected based on the diameter of the installing pole. Please refer to the manual for details.
- 4 All stainless steel 304# screws



sales@gordonbullard.com
www.bullardoutdoor.com
1-877-964-4646



991 South Gull Lake Dr
Richland, MI 49083
USA

FIXTURE TYPE: _____

PROJECT NAME: _____

NOTES:

-BODVCO227



-BODVCO327



HOW TO ORDER:

CODE:

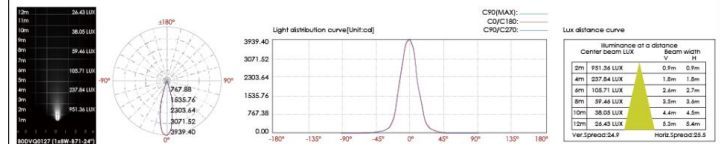
Example:
 CODE: BO-ST-KPG-PL-BODVCO227-K30-KAP7037-DIM-B15-A1-IB

BO-ST-KPG-PL-
 BODVCO227-K30-
 KAP7037-DIM-B15-A1-IB

7 INSTALLATION TYPE:

- SB Screw Base (included)
- IB Inground Base (optional)
- GAB Ground Anchor Base (optional)

8 PHOTOMETRIC INFO:



sales@gordonbullard.com
 www.bullardoutdoor.com
 1-877-964-4646



991 South Gull Lake Dr
 Richland, MI 49083
 USA