



**BULLARD
OUTDOOR**
BUILT for the STORM

INSTALLATION INSTRUCTION
03/12/2026

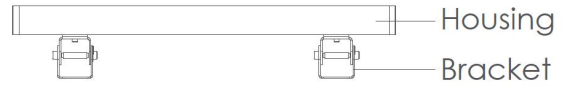
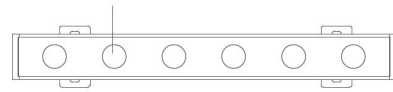
SENTO MAX



Data Sheet:

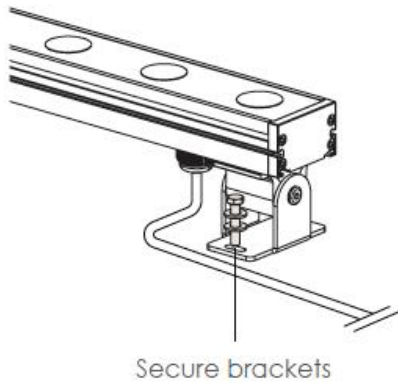
Input Voltage (V): 110-277
IK 06

Light window



INSTALLATION STEPS:

Step 1



Step 2

