



FIXTURE TYPE: _____

PROJECT NAME: _____



- Water temperature between -4°F and 104°F; depth less than 1 meter

GENERAL INFORMATION:

Eclipse: a sleek recessed pool light featuring a 15° beam angle, LED technology, and compatibility with 110-277V input voltage. It delivers 825 lumens and supports dimming via Triac PWM and customized 1-10V DALI options, all while boasting an IK rating of 09 for durability and safety.

FIXTURE TYPE:

Recessed Pool/Fountain Luminaires - Fountain Light

LIGHTING:

LED

LED

VOLTAGE:

DC 24

MATERIAL:

Hard chromeplated Molding shaped stainless steel SUS 316#

LENS:

Step tempered glass. T=9mm

CABLE GLAND:

IP68 PG-11 copper with nickel-coated

PCB:

Excellent heat conductivity aluminum, coefficient of heat conductivity $\geq 2.0w/mk$

BUILT-IN OVERHEAT SENSOR SYSTEM:

Automatic Shutdown at 75°C

CRI:

80

IP RATING:

IP 68

IP68

IK RATING:

IK 09

sales@gordonbullard.com
www.bullardoutdoor.com
1-877-964-4646

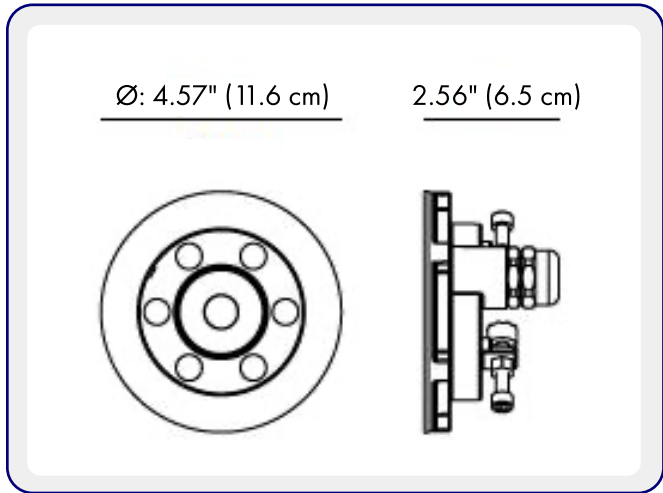


991 South Gull Lake Dr
Richland, MI 49083
USA

FIXTURE TYPE: _____

PROJECT NAME: _____

NOTES:



HOW TO ORDER:

CODE:

Example:
CODE: BO-EC-KPG-PFL-XXX-XXX-XXX-XXX-XXX-XXX

BO-EC-KPG-PFL-B4UB0657-
K30-B15-10-DIM-B

1 MODEL:

CODE -B4UB0657

DIMENSIONS:

Diameter - Ø: 4.57" (11.6 cm)

Height - H: 2.56" (6.5 cm)

LIGHT SOURCE:

LED / 6 × 1.5W / 500 mA / 825 lm / DC 24

2 CCT OPTIONS:

-K30 3000K

-CUS Custom on request*

3 BEAM ANGLE:

-B15-10 10°

-B15-15 15°

-B15-20 20°

-B15-30 30°

-B15-10x33 10°x33°

4 DIMMING OPTIONS:

-DIM 1-10V

-PWM Pulse Width Modulation

-DALI DALI (Digital Addressable Lighting Interface)

5 WATER PROOF SOLUTION: (optional)

A Water-Stopper(Included)
A IP-67 water-stopper is added in the end of luminaires as standard assembly which is also an important system for water resistance.

-B B IP68 Jiffy quick plug/socket connector(Option)
A IP-68 connector is as an optional assembly and ensures that water vapor will not enter into luminaires directly.



sales@gordonbullard.com
www.bullardoutdoor.com
1-877-964-4646



991 South Gull Lake Dr
Richland, MI 49083
USA

FIXTURE TYPE: _____

PROJECT NAME: _____

NOTES:



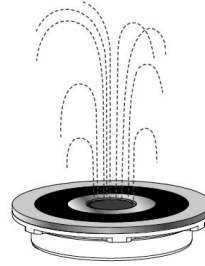
HOW TO ORDER:

CODE:

Example:
 CODE: BO-EC-KPG-PFL-XXX-XXX-XXX-XXX-XXX-XXX

BO-EC-KPG-PFL-B4UB0657-
 K30-B15-10-DIM-B

6 DETAILED VIEW:



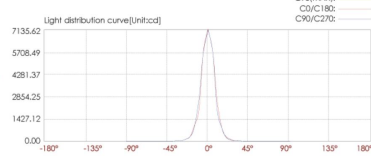
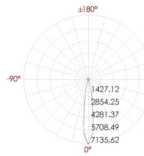
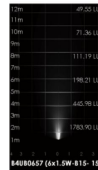
Central Ejector



Water jet pipe G3/4" taper



7 PHOTOMETRIC INFO:



Lux distance curve

Center Beam LUX	Beam width	H
2m	0.6m	0.6m
4m	1.1m	1.2m
6m	1.7m	1.7m
8m	2.3m	2.3m
10m	2.9m	2.9m
12m	3.4m	3.5m

Ver. Spread: 23.4 Horiz. Spread: 22.7

LED

110-277V

IP68

DALI

sales@gordonbullard.com
 www.bullardoutdoor.com
 1-877-964-4646



991 South Gull Lake Dr
 Richland, MI 49083
 USA