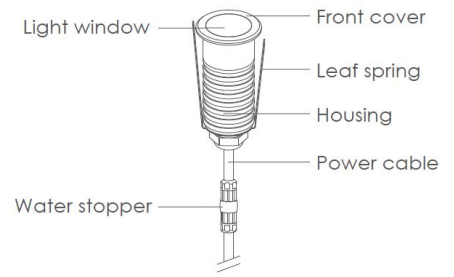


# RORI



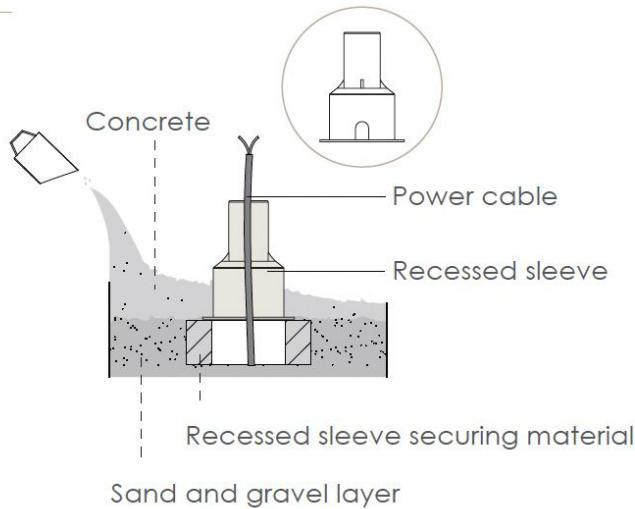
Data Sheet:

Input Voltage (V): 110-277  
 IK 06

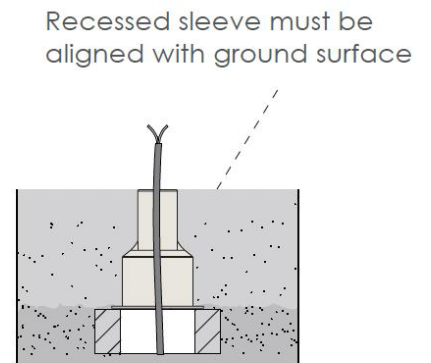


**3. Installation steps**

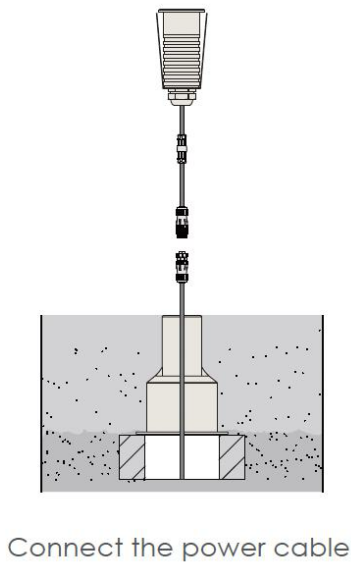
Step 1



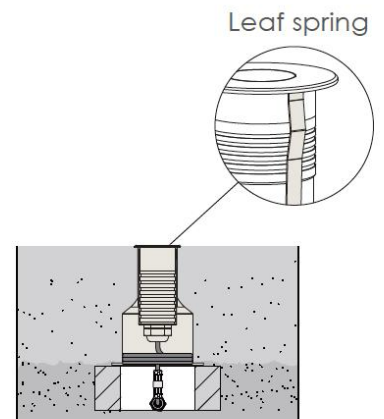
Step 2



Step 3



Step 4



P.2

[sales@gordonbullard.com](mailto:sales@gordonbullard.com)  
[www.bullardoutdoor.com](http://www.bullardoutdoor.com)  
 1 877-964-4646



991 South Gull Lake Dr.  
 Richland, MI 49083  
 USA

