



FIXTURE TYPE: _____

PROJECT NAME: _____

NOTES:



E26

IP 55



GENERAL INFORMATION:

X-Pot is a refined collection of colorful minimalist planters defined by a double-wall construction and a softly rounded base. Offered in multiple sizes, the collection introduces a vibrant yet sophisticated luminous presence to private gardens, terraces, hospitality venues, and retail environments. Ideal for flowers and small plants, X-Pot integrates seamlessly into intimate corners as well as expansive outdoor spaces, enhancing both residential and contract settings.

FIXTURE TYPE:

Illuminated Furniture

VOLTAGE:

110-277V

MATERIAL:

Polyethylene

IP RATING:

IP 55

IP 55

FINISH OPTION:

Light white

WARRANTY:

Lighting products are warranted for 5 years.

APPLIANCE CLASS:

II



sales@gordonbullard.com

www.bullardoutdoor.com

1-877-964-4646



991 South Gull Lake Dr

Richland, MI 49083

USA

FIXTURE TYPE: _____

PROJECT NAME: _____

NOTES:

HOW TO ORDER:

CODE:

Example:
CODE:BO-LPXPT-SD-H33

BO-LPXPT-
SD-H33

1 **MODELS:**

CODE: -H33

DIMENSIONS:

A) Diameter - Ø: 22,05" (56 cm)
B) Height - H: 12,99" (33 cm)

LIGHT SOURCE:

E26 / 1 x max. 5W / 110-277V

WEIGHT:

7,72 lb

CODE: -H50

DIMENSIONS:

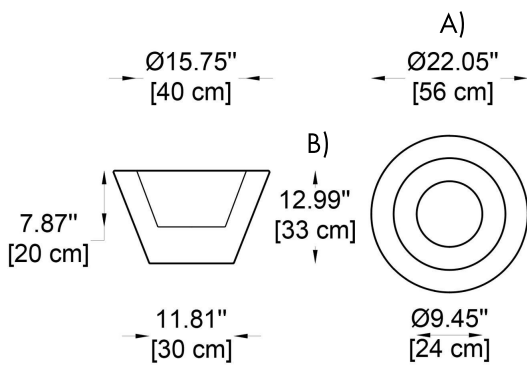
A) Diameter - Ø: 31,5" (80 cm)
B) Height - H: 19,69" (50 cm)

LIGHT SOURCE:

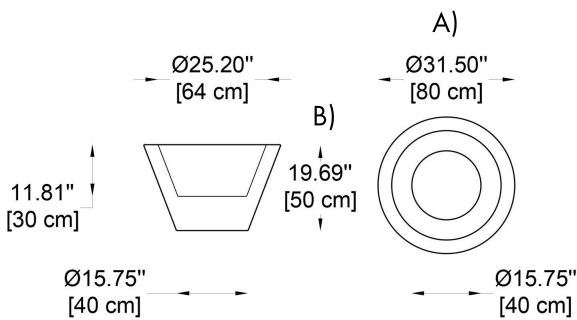
E26 / 1 x max. 10W / 110-277V

WEIGHT:

16,5 lb



-H33



-H50

sales@gordonbullard.com
www.bullardoutdoor.com
1-877-964-4646



991 South Gull Lake Dr
Richland, MI 49083
USA

FIXTURE TYPE: _____

PROJECT NAME: _____

NOTES:

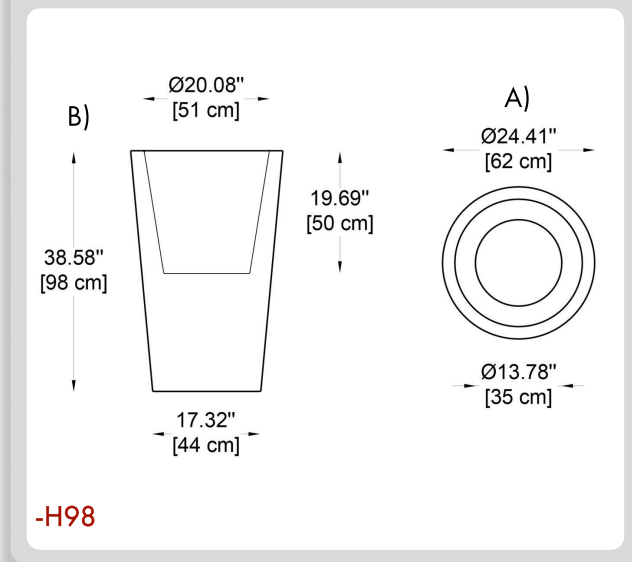
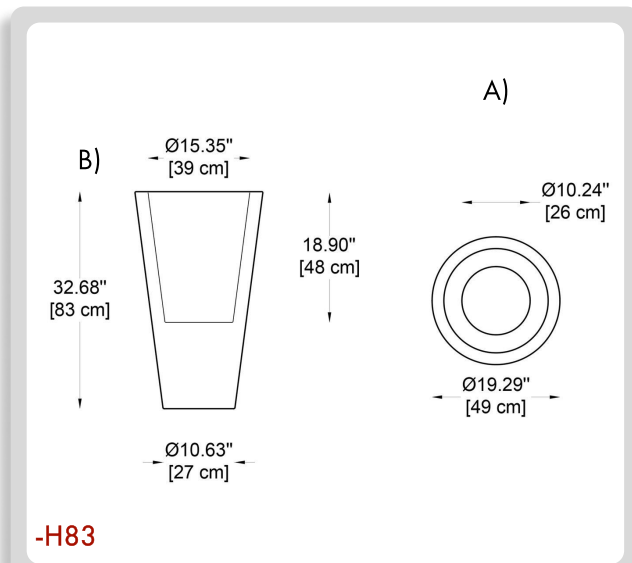
HOW TO ORDER:

CODE:

Example:
CODE:BO-LPXPT-SD-H33

BO-LPXPT-
SD-H33

1 **MODELS:**



CODE: -H83

DIMENSIONS:

A) Diameter - Ø : 19,29" (49 cm)
B) Height - H: 32,68" (83 cm)

LIGHT SOURCE:

E26 / 1 x max. 15W / 110-277V

WEIGHT:

16,5 lb

CODE: -H98

DIMENSIONS:

A) Diameter - Ø : 31,5" (80 cm)
B) Height - H: 19,69" (50 cm)

LIGHT SOURCE:

E26 / 1 x max. 15W / 110-277V

WEIGHT:

29,8 lb

sales@gordonbullard.com
www.bullardoutdoor.com
1-877-964-4646



991 South Gull Lake Dr
Richland, MI 49083
USA

FIXTURE TYPE: _____

PROJECT NAME: _____

NOTES:

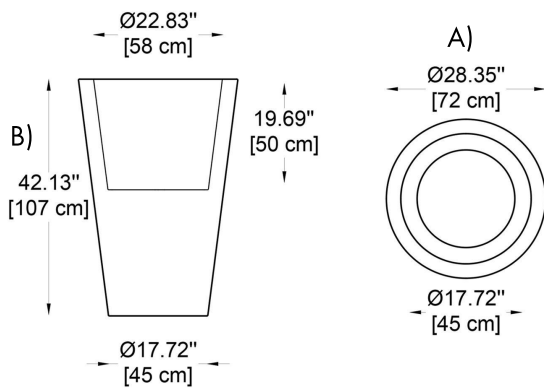
HOW TO ORDER:

CODE:

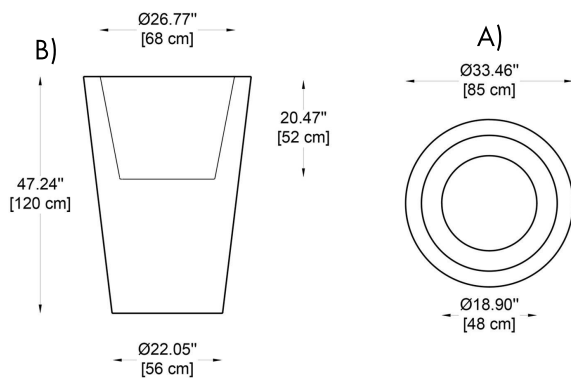
Example:
CODE:BO-LPXPT-SD-H33

BO-LPXPT-
SD-H33

1 **MODELS:**



-H107



-H120

CODE: -H107

DIMENSIONS:

A) Diameter - Ø : 28,35" (72 cm)
B) Height - H: 42,13" (107 cm)

LIGHT SOURCE:

E26 / 1 x max. 15W / 110-277V

WEIGHT:

37,5 lb

CODE: -H120

DIMENSIONS:

A) Diameter - Ø : 33,46" (85 cm)
B) Height - H: 47,24" (120 cm)

LIGHT SOURCE:

E26 / 1 x max. 15W / 110-277V

WEIGHT:

55,1 lb

sales@gordonbullard.com
www.bullardoutdoor.com
1-877-964-4646



991 South Gull Lake Dr
Richland, MI 49083
USA

FIXTURE TYPE: _____

PROJECT NAME: _____

NOTES:

HOW TO ORDER:

CODE:

Example:
CODE:BO-LPXPT-SD-H33

BO-LPXPT-SD-H33

FINISH OPTIONS (NON-ILLUMINATED):

STANDARD COLOURS:

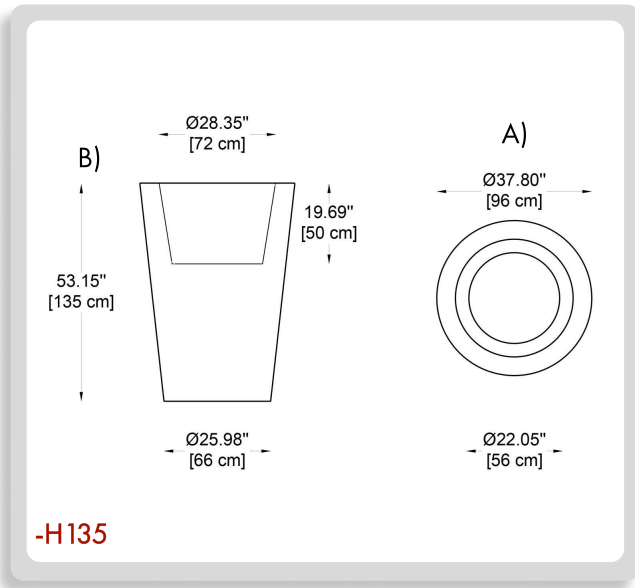
- MW Milky White 
- JB Jet Black 
- EG Elephant Grey 
- CB Chocolate Brown 
- AG Argil Grey 
- DG Dove Grey 
- PB Powder Blue 
- MG Malva Green 
- LG Lime Green 
- SY Saffron Yellow 
- PO Pumpkin Orange 
- FR Flame Red 
- SF Sweet Fuchsia 

LACQUERED (GLOSSY)

- AW-G Absolute White 
- GB-G Glamour Black 
- VG-G Vanity Grey 
- CI-G Charming Ivory 
- SR-G Supreme Red 
- MD-G Metallic Gold 
- MS-G Metallic Silver 
- MC-G Metallic Copper 

LACQUERED (MATT)

- AW-M Absolute White 
- GB-M Glamour Black 
- VG-M Vanity Grey 
- CI-M Charming Ivory 
- SR-M Supreme Red 
- MD-M Metallic Gold 
- MS-M Metallic Silver 
- MC-M Metallic Copper 



CODE: -H135

DIMENSIONS:

- A) Diameter - Ø: 37,80" (96 cm)
- B) Height - H: 53,15" (135 cm)

LIGHT SOURCE:

E26 / 1 x max. 15W / 110-277V

WEIGHT:

83,8 lb



sales@gordonbullard.com

www.bullardoutdoor.com

1-877-964-4646



991 South Gull Lake Dr

Richland, MI 49083

USA