



BULLARD
OUTDOOR
BUILT for the STORM

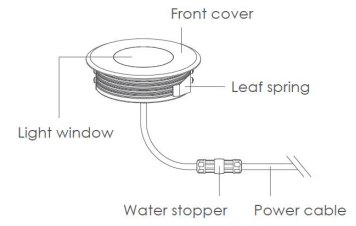
INSTALLATION INSTRUCTION

02/17/2026

KETO

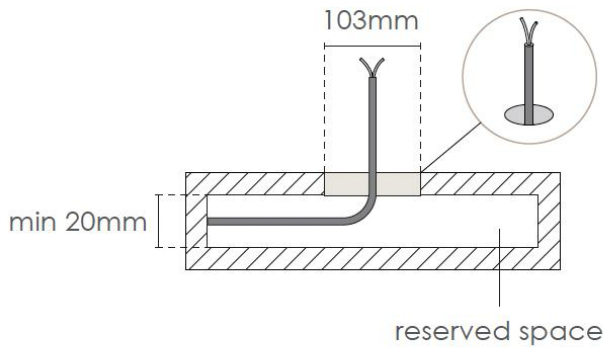


Data Sheet:
 Input Voltage (V): 110-277
 IK 08

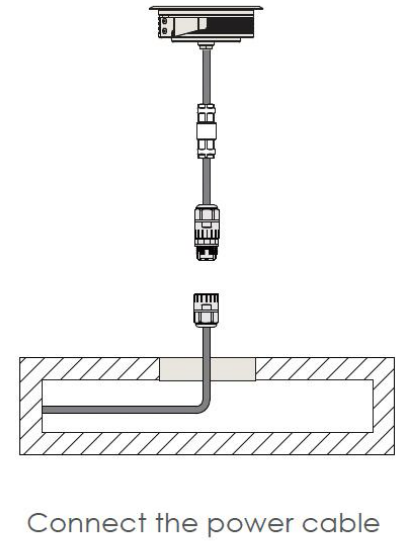


3. Installation steps

Step 1



Step 2



Step 3

