



FIXTURE TYPE: _____

PROJECT NAME: _____

NOTES:



GENERAL INFORMATION:

Snack Bar is a modular luminous counter designed to seamlessly merge aesthetics and functionality. Inspired by the luminous displays that have established Bullard Outdoor internationally, it serves equally well as a reception desk or bar counter. Used individually, it is ideal for intimate settings; configured in multiple units, it creates impactful compositions for expansive environments. Crafted from polyethylene and suitable for both indoor and outdoor contemporary spaces, Snack Bar can be personalized with custom logos and graphics.

FIXTURE TYPE:

Illuminated Furniture

VOLTAGE:

110-277V

MATERIAL:

Polyethylene

IP RATING:

IP 55

IP 55

FINISHING:

Light white

WARRANTY:

Lighting products are warranted for 5 years.

APPLIANCE CLASS:

II



sales@gordonbullard.com
www.bullardoutdoor.com
1-877-964-4646

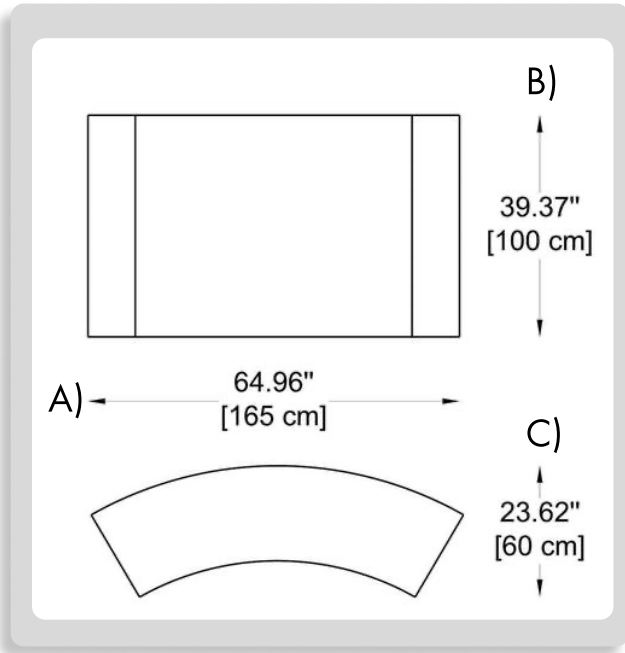


991 South Gull Lake Dr
Richland, MI 49083
USA

FIXTURE TYPE: _____

PROJECT NAME: _____

NOTES:



HOW TO ORDER:

CODE:

Example:
CODE: BO-SNB100-SD-102

BO-SNB100-SD-102

1 DIMENSIONS:

A) Length - L: 64,96" (165 cm)
B) Height - H: 39,37" (100 cm)
C) Width - W: 23,62" (60 cm)

2 LIGHT SOURCE:

E26 / 2 x max. 15W / 110-277V

3 FINISH OPTION:

Light white

4 WIRING:

Black cable (Length: 10 ft)

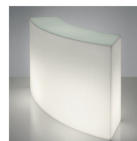
5 WEIGHT:

66, 14 lb

6 ACCESSORIES: (no-included)

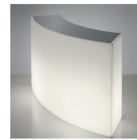
CODE: -102

Glass desk (tempered glas)



CODE: -102

Steel desk (stainless steel)



sales@gordonbullard.com

www.bullardoutdoor.com

1-877-964-4646



991 South Gull Lake Dr

Richland, MI 49083

USA