



FIXTURE TYPE: _____

PROJECT NAME: _____

NOTES:



GENERAL INFORMATION:

The Segno P by BULLARD BOLLARDS is a modern outdoor bollard luminaire designed for elegant, indirect illumination of pathways, gardens, and open-air architectural spaces. Crafted from high-resistance aluminum with a weatherproof finish, it combines minimalist design with durable performance. Its glare-free light output, adjustable orientation, and multiple height options make it a versatile solution for both residential and commercial landscapes. Available in a range of refined finishes and powered by high-efficiency LEDs, the Segno P delivers understated sophistication and reliable outdoor lighting.

FIXTURE TYPE:

Pendant

VOLTAGE:

110-277V



MATERIAL:

Extruded aluminum

IP RATING:

IP 67



DRIVER POSITION:

Integral

CRI:

90

WARRANTY:

LED lighting products are warranted for 5 years.

MAIN FEATURES:

- High visual comfort
- Wide range of finishes
- Functional design
- Minimal design
- Shock resistant
- Operating Temperature: -22°F~122°F

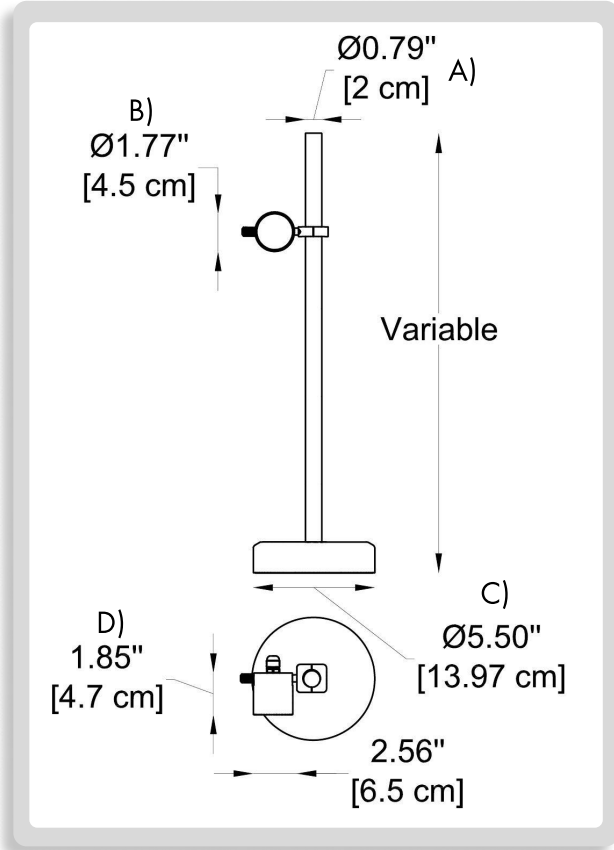
sales@gordonbullard.com
www.bullardoutdoor.com
1-877-964-4646



991 South Gull Lake Dr
Richland, MI 49083
USA

FIXTURE TYPE: _____

PROJECT NAME: _____



HOW TO ORDER:

CODE:

Example:
CODE: BO-SP-GN-45-H1-L1-B1-DIM-WH

BO-SP-GN-45-
H1-L1-B1-DIM-
WH

1 MODEL & GENERAL DIMENSIONS:

CODE -45

- A) Tube Diameter - Ø: 0.8" (2 cm)
- B) Head Diameter - Ø: 1.77" (4.5 cm)
- C) Base Diameter Ø: 5.5" (14 cm)
- D) Head Height - H: 1.85" (4.7 cm)

2 TUBE HEIGHT:

- H1 H: (25 cm)
- H2 H: (50 cm)
- H3 H: (100 cm)

3 LIGHT SOURCE:

- L1 LED / 2.1W / 3000K / 196 lm / 700 mA
- L2 LED / 2.1W / 4000K / 218 lm / 700 mA
- L3 LED / 3.2W / 3000K / 277 lm / 1050 mA
- L4 LED / 3.2W / 4000K / 307 lm / 1050 mA
- L5 LED / 6W / 4000K / 845 lm / 350 mA
- L6 LED / 6W / 4000K / 877 lm / 350 mA

4 BEAM ANGLE:

- B1 17°
- B2 25°
- B3 36°

5 DIMMING OPTIONS:

- NON NON-Dimmable
- DIM 0-10V
- CAS Casambi
- LUT Lutron
- DAL Dali

LED

IP67



LUTRON

CASAMBI

sales@gordonbullard.com

www.bullardoutdoor.com

1-877-964-4646



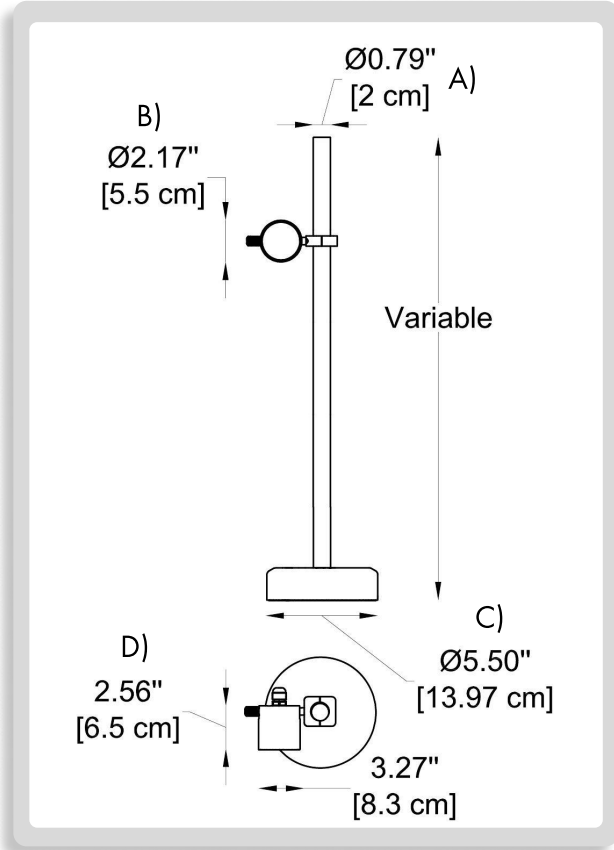
991 South Gull Lake Dr

Richland, MI 49083

USA

FIXTURE TYPE: _____

PROJECT NAME: _____



HOW TO ORDER:

CODE:

Example:
CODE: BO-SP-GN-55-H1-L1-DIM-WH

BO-SP-GN-55-
H1-L1-DIM-WH

1 MODEL & GENERAL DIMENSIONS:

CODE -55

- A) Tube Diameter - Ø: 0.8" (2 cm)
- B) Head Diameter - Ø: 2.17" (5.5 cm)
- C) Base Diameter Ø: 5.5" (14 cm)
- D) Head Height - H: 2.56" (6.5 cm)

2 TUBE HEIGHT:

- H1 H: (25 cm)
- H2 H: (50 cm)
- H3 H: (100 cm)

3 LIGHT SOURCE:

- L1 LED / 8W / 3000K / 740 lm
- L2 LED / 8W / 4000K / 790 lm

4 BEAM ANGLE:

38°

5 DIMMING OPTIONS:

- NON NON-Dimmable
- DIM 0-10V
- CAS Casambi
- LUT Lutron
- DAL Dali

LED

IP67



LUTRON

CASAMBI

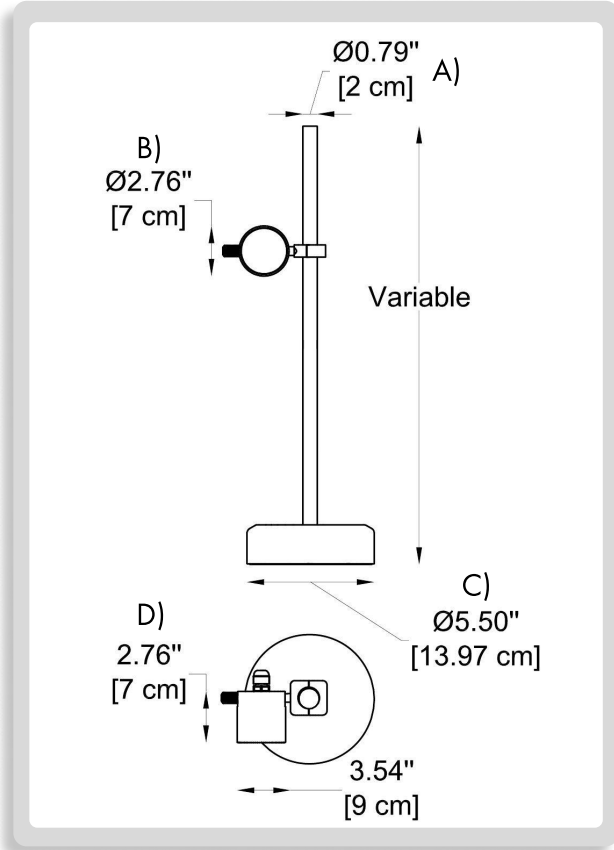
sales@gordonbullard.com
www.bullardoutdoor.com
1-877-964-4646



991 South Gull Lake Dr
Richland, MI 49083
USA

FIXTURE TYPE: _____

PROJECT NAME: _____



HOW TO ORDER:

CODE:

Example:
CODE: BO-SP-GN-70-H1-L1-B1-DIM-WH

BO-SP-GN-70-
H1-L1-B1-DIM-
WH

1 MODEL & GENERAL DIMENSIONS:

CODE **-70**

- A) Tube Diameter - Ø: 0.8" (2 cm)
- B) Head Diameter - Ø: 2.76" (7 cm)
- C) Base Diameter Ø: 5.5" (14 cm)
- D) Head Height - H: 7" (7 cm)

2 TUBE HEIGHT:

- H1** H: (50 cm)
- H2** H: (100 cm)

3 LIGHT SOURCE:

- L1** LED / 8W / 3000K / 740 lm
- L2** LED / 8W / 4000K / 790 lm

4 BEAM ANGLE:

38°

5 DIMMING OPTIONS:

- NON** NON-Dimmable
- DIM** 0-10V
- CAS** Casambi
- LUT** Lutron
- DAL** Dali

LED

IP67



LUTRON

CASAMBI

sales@gordonbullard.com

www.bullardoutdoor.com

1-877-964-4646



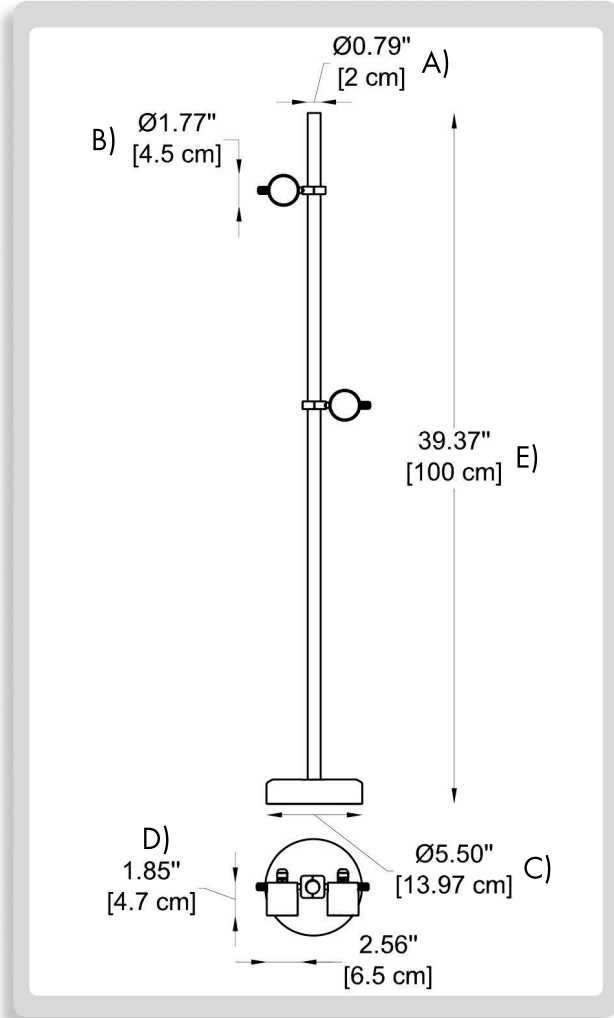
991 South Gull Lake Dr

Richland, MI 49083

USA

FIXTURE TYPE: _____

PROJECT NAME: _____



HOW TO ORDER:

CODE:

Example:
CODE: BO-SP-GN-D45-L1-DIM-WH

BO-SP-GN-
D45-L1-DIM-
WH

1 MODEL & GENERAL DIMENSIONS:

CODE -D45

- A) Tube Diameter - $\text{Ø}: 0.8''$ (2 cm)
- B) Head Diameter - $\text{Ø}: 1.77''$ (4.5 cm)
- C) Base Diameter $\text{Ø}: 5.5''$ (14 cm)
- D) Head Height - H: 1.85" (4.7 cm)
- E) Height - H: 39.37" (100 cm)

2 LIGHT SOURCE:

- L1 LED / 8W / 3000K / 740 lm
- L2 LED / 8W / 4000K / 790 lm

3 BEAM ANGLE:

38°

4 DIMMING OPTIONS:

- NON NON-Dimmable
- DIM 0-10V
- CAS Casambi
- LUT Lutron
- DAL Dali

LED

IP67



©LUTRON

CASAMBI

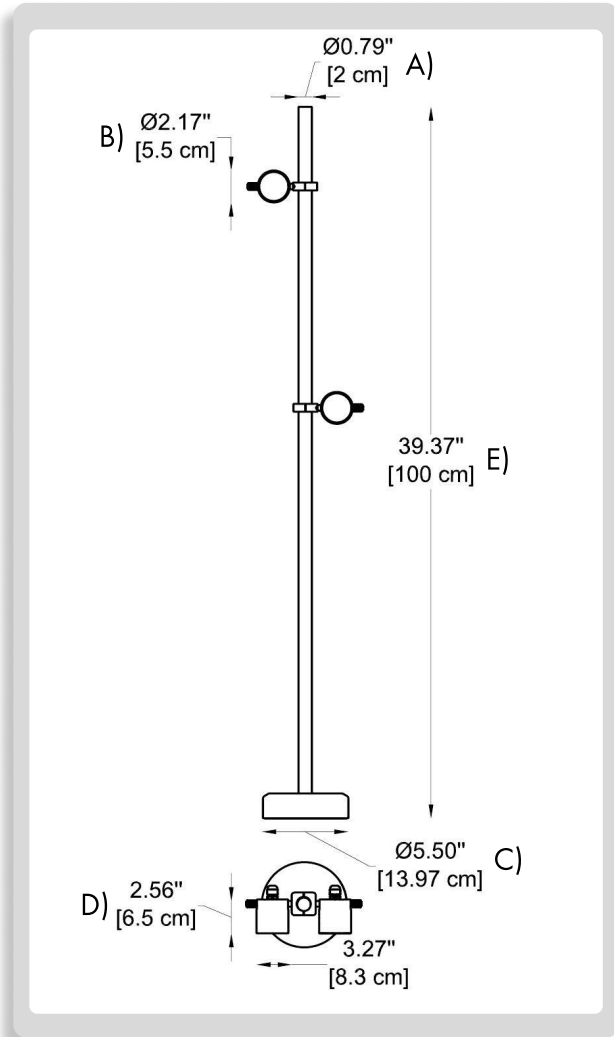
sales@gordonbullard.com
www.bullardoutdoor.com
1-877-964-4646



991 South Gull Lake Dr
Richland, MI 49083
USA

FIXTURE TYPE: _____

PROJECT NAME: _____



HOW TO ORDER:

CODE:

Example:
CODE: BO-SP-GN-D55-L1-DIM-WH

BO-SP-GN-
D55-L-DIM-
WH

1 MODEL & GENERAL DIMENSIONS:

CODE **-D55**

- A) Tube Diameter - Ø: 0.8" (2 cm)
- B) Head Diameter - Ø: 1.77" (5.5 cm)
- C) Base Diameter Ø: 5.5" (14 cm)
- D) Head Height - H: 2.56" (6.5 cm)
- E) Height - H: 39.37" (100 cm)

2 LIGHT SOURCE:

- L1** LED / 8W / 3000K / 740 lm
- L2** LED / 8W / 4000K / 790 lm

3 BEAM ANGLE:

38°

4 DIMMING OPTIONS:

- NON** NON-Dimmable
- DIM** 0-10V
- CAS** Casambi
- LUT** Lutron
- DAL** Dali



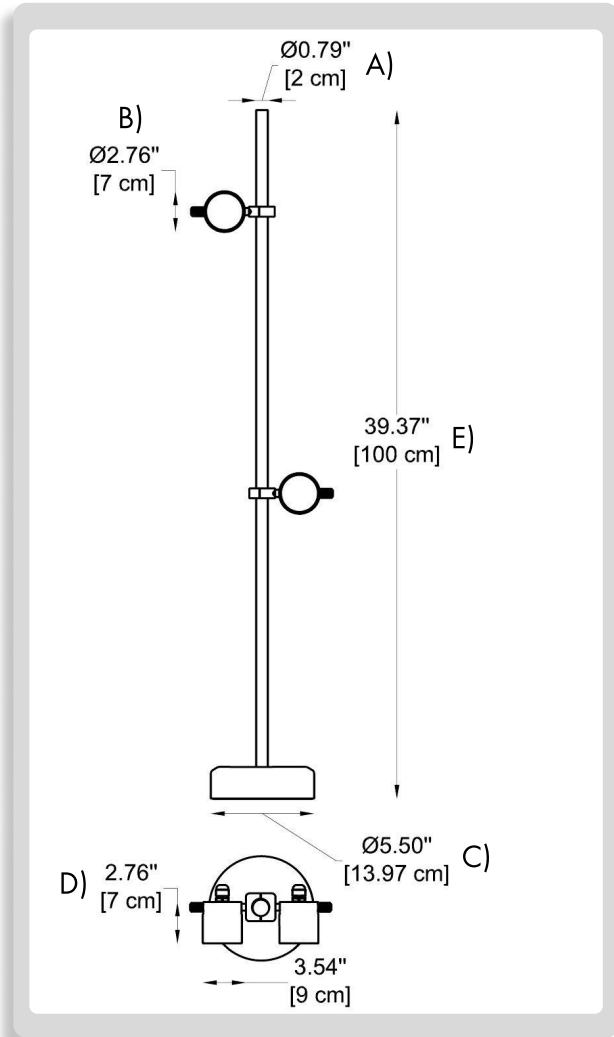
sales@gordonbullard.com
www.bullardoutdoor.com
1-877-964-4646



991 South Gull Lake Dr
Richland, MI 49083
USA

FIXTURE TYPE: _____

PROJECT NAME: _____



HOW TO ORDER:

CODE:

Example:
CODE: BO-SP-GN-D70-L1-DIM-WH

BO-SP-GN-
D70-L1-DIM-
WH

1 MODEL & GENERAL DIMENSIONS:

CODE -D70

- A) Tube Diameter - $\text{Ø}: 0.8''$ (2 cm)
- B) Head Diameter - $\text{Ø}: 2.76''$ (7 cm)
- C) Base Diameter $\text{Ø}: 5.5''$ (14 cm)
- D) Head Height - $H: 2.76''$ (7 cm)
- E) Height - $H: 39.37''$ (100 cm)

2 LIGHT SOURCE:

- L1** LED / 8W / 3000K / 740 lm
- L2** LED / 8W / 4000K / 790 lm

3 BEAM ANGLE:

38°

4 DIMMING OPTIONS:

- NON** NON-Dimmable
- DIM** 0-10V
- CAS** Casambi
- LUT** Lutron
- DAL** Dali



sales@gordonbullard.com
www.bullardoutdoor.com
1-877-964-4646



991 South Gull Lake Dr
Richland, MI 49083
USA

FIXTURE TYPE: _____

PROJECT NAME: _____

HOW TO ORDER:

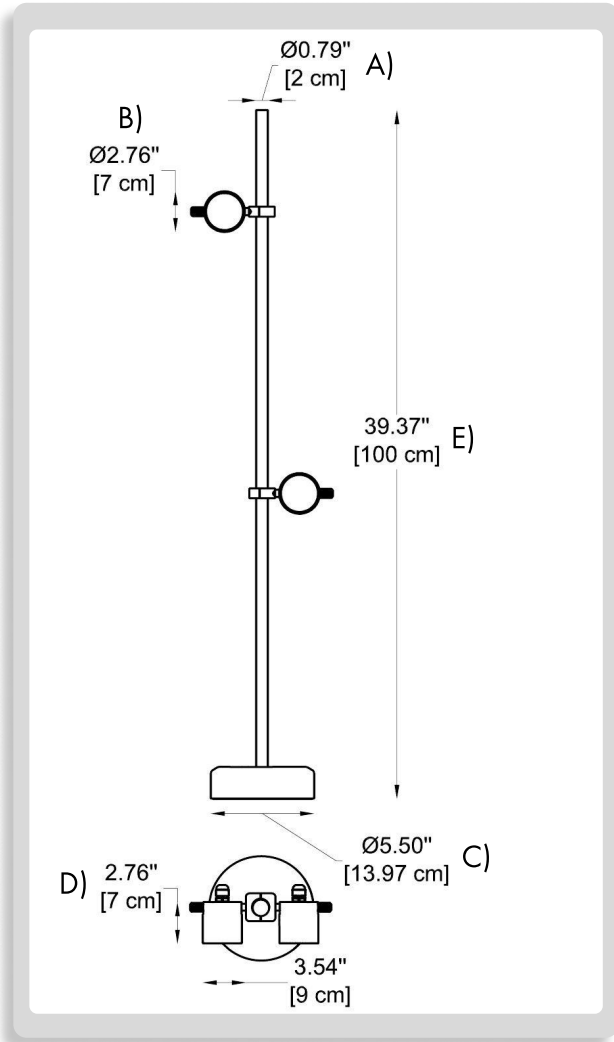
CODE:

Example:
CODE: BO-SP-GN-D45-L1-B1-DIM-WH

BO-SP-GN-
D45-L1-B1-
DIM-WH

5 FINISH OPTIONS:

- | | | |
|------|------------------------|--|
| -WH | White (matt) |  |
| -BL | Black (matt) |  |
| -AGM | Anthracite grey (matt) |  |
| -BZ | Bronze |  |
| -AGT | Antique grey (matt) |  |
| -SM | Sand (matt) |  |
| -LGM | Light grey (matt) |  |
| -CM | Corten (matt) |  |
| -BM | Blue (matt) |  |
| -GM | Green (matt) |  |



sales@gordonbullard.com
www.bullardoutdoor.com
1-877-964-4646



991 South Gull Lake Dr
Richland, MI 49083
USA