



**BULLARD
OUTDOOR**
BUILT for the STORM

INSTALLATION INSTRUCTION
01/28/2026

SITULA

LED

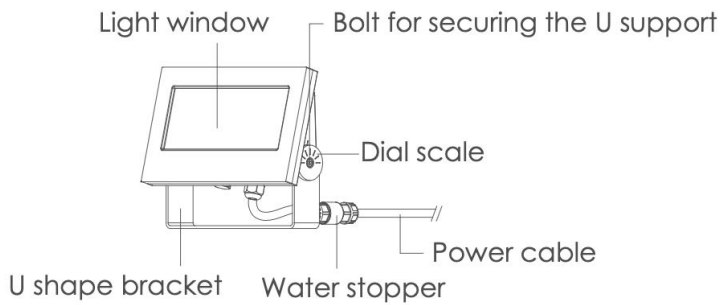


110-
277V



Exterior details

Luminaire



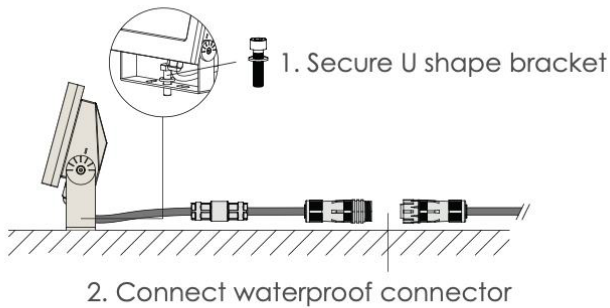
Data Sheet:

Input Voltage (V): 110-277

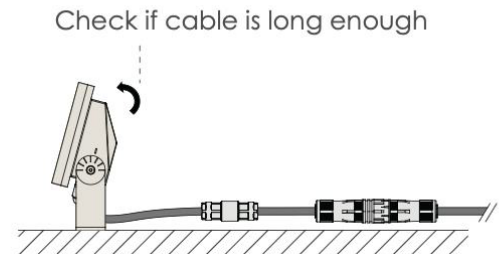
IK: 06

Installation steps

Step 1



Step 2



P.2

sales@gordonbullard.com
www.bullardoutdoor.com
1 877-964-4646



991 South Gull Lake Dr.
Richland, MI 49083
USA

