

RAVE

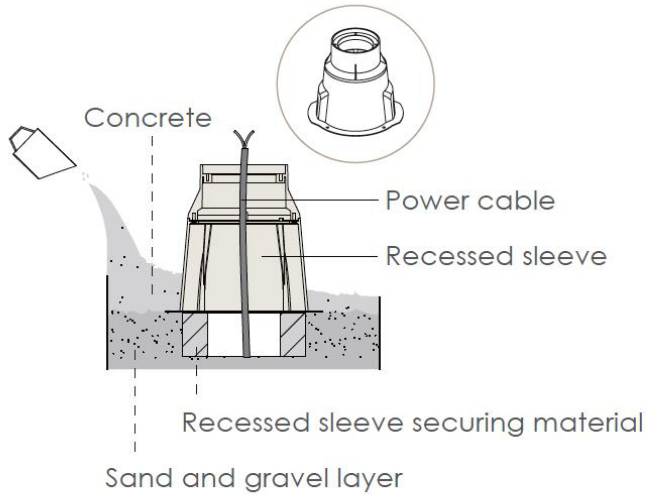


Data Sheet:

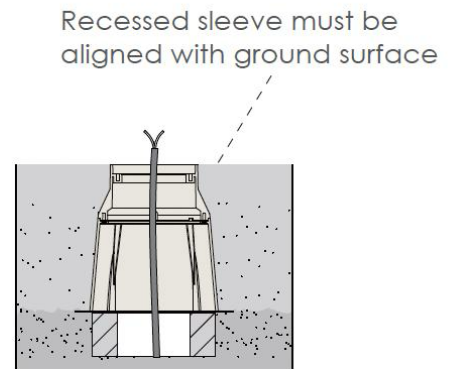
Input Voltage (V): 110-277
IK 10

3. Installation steps

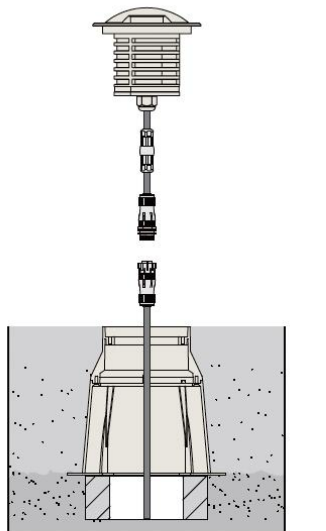
Step 1



Step 2

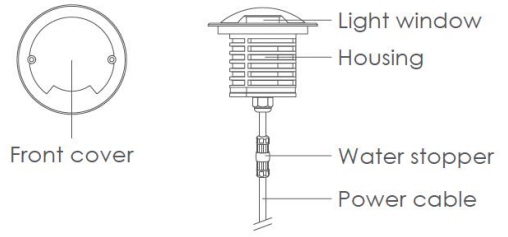
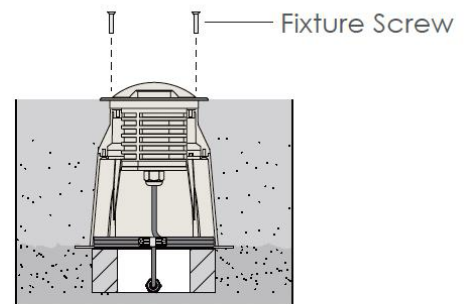


Step 3



Connect the power cable

Step 4



Front cover