



FIXTURE TYPE: _____

PROJECT NAME: _____

NOTES:



GENERAL INFORMATION:

The Jumbo Bar by Bullard Outdoor is a modular, illuminated bar counter designed by Jorge Najera, ideal for any outdoor events. Crafted from durable polyethylene, it features a sleek, minimalist design that seamlessly integrates into various event settings. The bar can be equipped with an internal lighting system using a 15W E26 bulb, transforming it into a glowing centerpiece that enhances any environment. Its modular design allows for versatile configurations, making it an ideal choice for elegant and minimalist events, both large and small.

FIXTURE TYPE:

Illuminated Furniture

VOLTAGE:

110-277V

MATERIAL:

Polyethylene

IP RATING:

IP 55

IP 55

FINISH OPTION:

Light white

WARRANTY:

Lighting products are warranted for 5 years.

APPLIANCE CLASS:

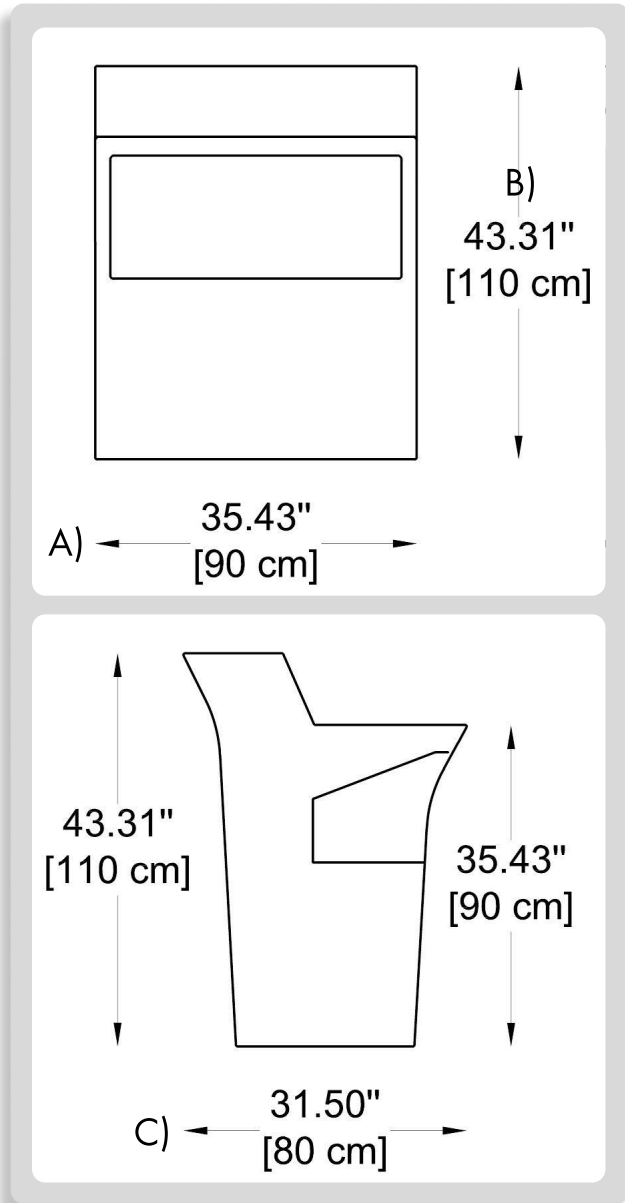
II



FIXTURE TYPE: _____

PROJECT NAME: _____

NOTES:



HOW TO ORDER:

CODE:

| | |
|---|----------------------------|
| Example: CODE: BO-BAR11-SD-113-112 | BO-BAR11-SD-113-112 |
|---|----------------------------|

1 DIMENSIONS:

- A) Length - L: 35,43" (90 cm)
- B) Height - H: 43,31" (110 cm)
- C) Width - W: 31,50" (80 cm)

2 LIGHT SOURCE:

E26 / 2 x max. 15W / 110-277V

3 FINISH OPTION:

Light white

4 WIRING:

Black cable (Length: 10 ft)

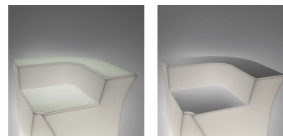
5 WEIGHT:

59,52 lb

6 ACCESSORIES: (not-included)

- DESK:**
- 114 glass desk tempered glass
 - 120 steel desk stainless steel
- TOP:**
- 115 glass top tempered glass
 - 119 steel top stainless steel

Tempered glass Stainless steel



sales@gordonbullard.com
www.bullardoutdoor.com
1-877-964-4646



991 South Gull Lake Dr
Richland, MI 49083
USA