



FIXTURE TYPE: _____

PROJECT NAME: _____



GENERAL INFORMATION:

The Kang is an in-ground lighting fixture powered by LEDs and made from die-cast aluminum. It is available in 2 options with a Sanded Black finish. The voltage range is 110-277V. The consumption varies from 6W to 18W.

FIXTURE TYPE:

Inground Luminaires - Compact/Mini

LIGHTING:

LED

LED

VOLTAGE:

110-277V

110-277V

MATERIAL:

12# Die-casting aluminium dark grey powder coated

CRI:

80

IP RATING:

IP 68

IP68

IK RATING:

IK 08 / 09

sales@gordonbullard.com
www.bullardoutdoor.com
1-877-964-4646

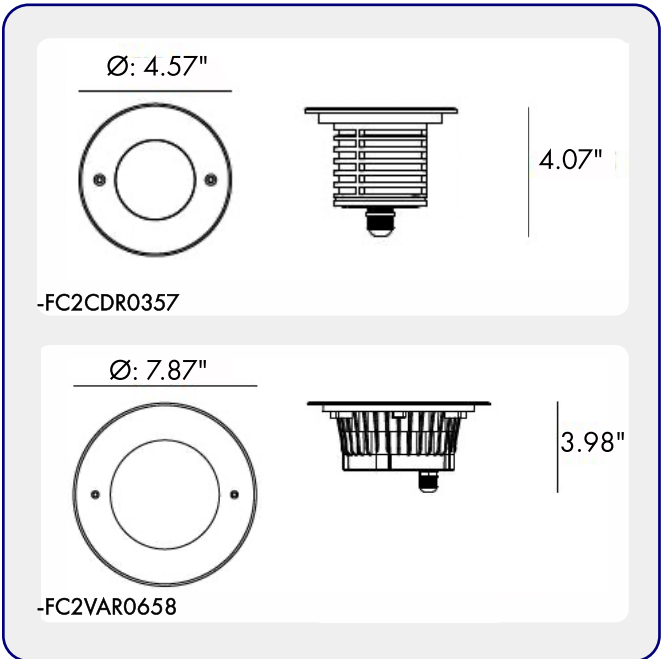


991 South Gull Lake Dr
Richland, MI 49083
USA

FIXTURE TYPE: _____

PROJECT NAME: _____

NOTES:



HOW TO ORDER:

CODE:

Example:
CODE: BO-KG-KPG-IL-XXX-XXX-XXX-XXX-XXX-XXX

BO-KG-KPG-IL-
FC2CDR0357-K30-DIM-

1 MODELS:

CODE -FC2CDR0357

DIMENSIONS:

Diameter - Ø: 4.57" (11.6 cm)
Height - H: 4.07" (10.3 cm)

LIGHT SOURCE:

LED / 3 x 2W / 51 mA / 398 lm / IK 08 / 110-277V

CODE -FC2VAR0658

DIMENSIONS:

Diameter - Ø: 7.87" (20 cm)
Height - H: 3.98" (10.1 cm)

LIGHT SOURCE:

LED / 6 x 3W / 156 mA / 1543 lm / IK 09 / 110-277V

2 CCT OPTIONS:

-K30 3000K
-CUS Custom on request*

3 DIMMING OPTIONS:

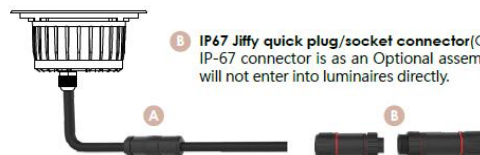
-DIM 1-10V
-PWM Pulse Width Modulation
-DALI DALI (Digital Addressable Lighting Interface)

4 WATER PROOF SOLUTION: (optional)

-B

A Water-Stopper (Included)
IP-67 water-stopper is added in the end of luminaires as standard assembly which is also an important system for water resistance.

B IP67 Jiffy quick plug/socket connector (Optional)
IP-67 connector is as an Optional assembly and ensures that water vapor will not enter into luminaires directly.



sales@gordonbullard.com
www.bullardoutdoor.com
1-877-964-4646



991 South Gull Lake Dr
Richland, MI 49083
USA

FIXTURE TYPE: _____

PROJECT NAME: _____

NOTES:



HOW TO ORDER:

CODE:

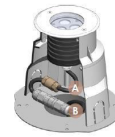
Example:
CODE: BO-KG-KPG-IL-XXX-XXX-XXX-XXX-XXX-XXX

BO-KG-KPG-IL-
FC2CDR0357-K30-DIM-

5 ACCESSORIES:

SLEEVE (OPTION 1)

SLEEVE (OPTION 2)



-B12 -Ø: 4.57"

-015# -Ø: 4.57"

available only for -Ø: 7.87" size

SLEEVE (INCLUDED)

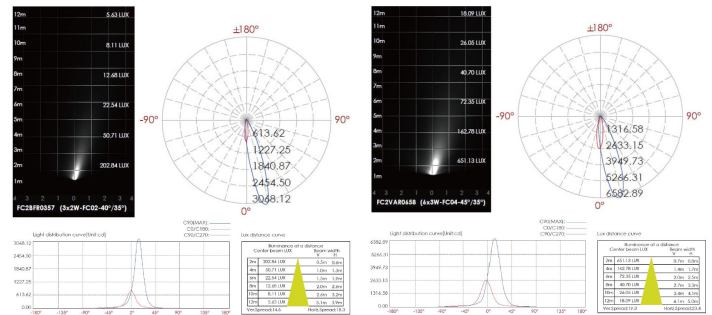
-057#

6 OPTICS:

-FC03 45°/15° -Ø: 4.57"

-FC04 45°/15° -Ø: 7.87"

7 PHOTOMETRIC INFO:



sales@gordonbullard.com
www.bullardoutdoor.com
1-877-964-4646



991 South Gull Lake Dr
Richland, MI 49083
USA