



FIXTURE TYPE: \_\_\_\_\_

PROJECT NAME: \_\_\_\_\_



**GENERAL INFORMATION:**

The ZANIS Spotlight – Symmetrical Wall Washer is a high-performance outdoor fixture designed for precise architectural illumination. Built from die-cast aluminum with a tempered glass lens, it delivers durability and reliable protection with IP66 and IK06 ratings. Operating on a 110–277V LED system with a CRI of 80, it produces clear, even light ideal for wall washing and façade highlighting. Available in Sanded Bronze, Dark Gray, Black, and White, the Terri offers both functionality and modern design versatility.

**FIXTURE TYPE:**

Spotlight - Symmetrical Wall Washer

**LIGHTING**

LED 

**VOLTAGE:**

110-277V 

**MATERIAL:**

12# Die-casting aluminum finishing

**LENS:**

Tempered glass.T=3mm

**CRI:**

80

**IP RATING:**

IP 66 

**IK RATING:**

IK 06

**FINISHING:**

- Sanded Bronze
- Sanded Dark Gray
- Sanded Black
- Sanded White

sales@gordonbullard.com  
www.bullardoutdoor.com  
1-877-964-4646

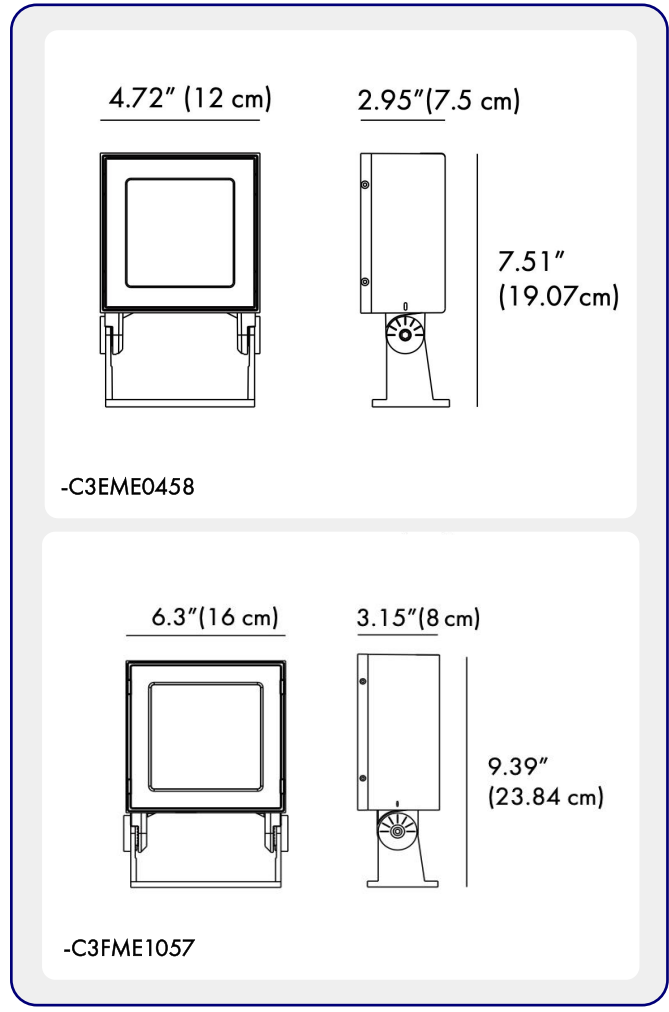


991 South Gull Lake Dr  
Richland, MI 49083  
USA

FIXTURE TYPE: \_\_\_\_\_

PROJECT NAME: \_\_\_\_\_

NOTES:



**HOW TO ORDER: \_\_\_\_\_ CODE: \_\_\_\_\_**

Example:  
CODE: BO-TRI-KPG-SPT-XXX-XXX-XXX-XXX-XXX-XX

BO-TRI-KPG-SPT-  
C3EME0458-K30-  
KAP7008-C20-750-B

**1 MODELS:**

CODE -C3EME0458  
DIMENSIONS:  
 Height - H: 7.51" (19.07 cm)  
 Length - L: 4.72" (12 cm)  
 Width - W: 2.95" (7.5 cm)

LIGHT SOURCE:  
 LED / 4 x 3W / 106 mA / 730 lm / 110-277V /

CODE -C3FME1057  
DIMENSIONS:  
 Height - H: 9.37" (23.8 cm)  
 Length - L: 6.3" (16 cm)  
 Width - W: 3.14" (8 cm)

LIGHT SOURCE:  
 LED / 10 x 1.8W / 165 mA / 1533 lm / 110-277V

**2 CCT OPTIONS:**

-K30 3000K  
 -CUS Custom on request\*

**3 FINISH OPTIONS:**

-KAP7008 Sanded Bronze  
 -KAP7037 Sanded Dark Gray  
 -RAL 9005 Sanded Black  
 -RAL9003 Sanded White

**4 BEAM ANGLE**

-C20-75 75°  
 -C20-50 50°

sales@gordonbullard.com  
 www.bullardoutdoor.com  
 1-877-964-4646



991 South Gull Lake Dr  
 Richland, MI 49083  
 USA

FIXTURE TYPE: \_\_\_\_\_

PROJECT NAME: \_\_\_\_\_

NOTES:



**HOW TO ORDER:**

**CODE:**

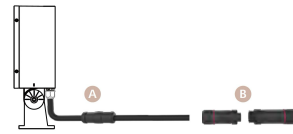
Example:  
CODE: BO-TRI-KPG-SPT-XXX-XXX-XXX-XXX-XXX-XX

BO-TRI-KPG-SPT-  
C3EME0458-K30-  
KAP7008-C20-750-B

**5 WATER PROOF SOLUTION: (optional)**

**A Water-Stopper(Included)**  
A IP-66 water-stopper is added in the end of luminaires as standard assembly which is also an important system for water resistance.

**-B IP67 Jiffy quick plug/socket connector(Option)**  
A IP-67 connector is as an optional assembly and ensures that water vapor will not enter into luminaires directly.

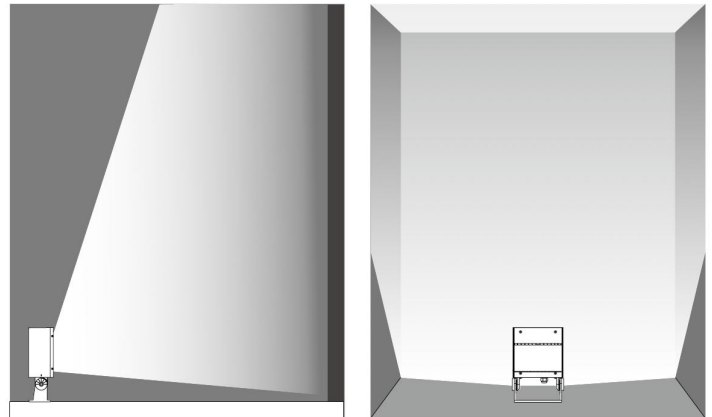


**6 FEATURE:**



**Gear:** The gear between the luminaire housing and the U bracket to prevent sliding.

**7 LIGHT APPLICATION:**



sales@gordonbullard.com  
www.bullardoutdoor.com  
1-877-964-4646



991 South Gull Lake Dr  
Richland, MI 49083  
USA

FIXTURE TYPE: \_\_\_\_\_

PROJECT NAME: \_\_\_\_\_

NOTES:

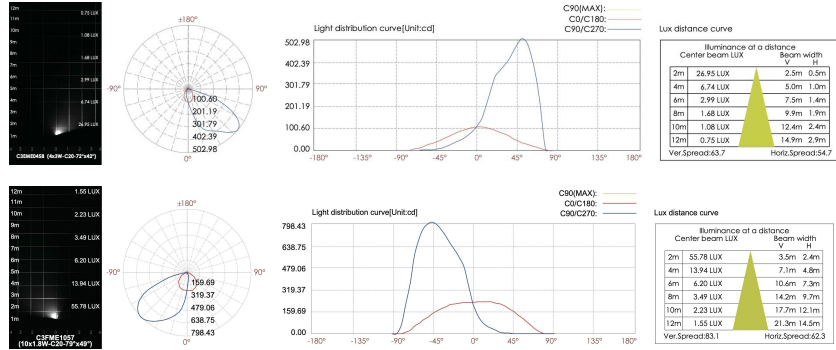
**HOW TO ORDER:**

**CODE:**

Example:  
CODE: BO-TRI-KPG-SPT-XXX-XXX-XXX-XXX-XXX-XX

BO-TRI-KPG-SPT-  
C3EME0458-K30-  
KAP7008-C20-750-B

**8 PHOTOMETRIC:**



sales@gordonbullard.com  
www.bullardoutdoor.com  
1-877-964-4646



991 South Gull Lake Dr  
Richland, MI 49083  
USA