



FIXTURE TYPE: \_\_\_\_\_

PROJECT NAME: \_\_\_\_\_



- Water temperature between -4°F and 104°F; depth less than 1 meter

**GENERAL INFORMATION:**

The LUNA Fountain Light by Bullard Outdoor is a durable DC 24V LED fixture made from 316H stainless steel with a 10mm tempered glass lens. Rated IP68 and IK07, it offers excellent heat management and automatic overheat protection, ensuring reliable underwater performance for pools and fountains.

**FIXTURE TYPE:**

Pool/Fountain Luminaires - Recessed Fountain

**LIGHTING:**

LED

LED

**VOLTAGE:**

DC 24

**MATERIAL:**

Hard Chromeplated Molding Shaped Stainless Steel SUS316L#

**LENS:**

Step tempered glass. T=10mm

**CABLE GLAND:**

IP68 PG-11 copper with nickel-coated

**PCB:**

Excellent heat conductivity aluminum, coefficient of heat conductivity $\geq 2.0w/mk$

**BUILT-IN OVERHEAT SENSOR SYSTEM:**

Automatic Shutdown at 75°C

**CRI:**

80

**IP RATING:**

IP 68

IP68

**IK RATING:**

IK 09

sales@gordonbullard.com  
www.bullardoutdoor.com  
1-877-964-4646

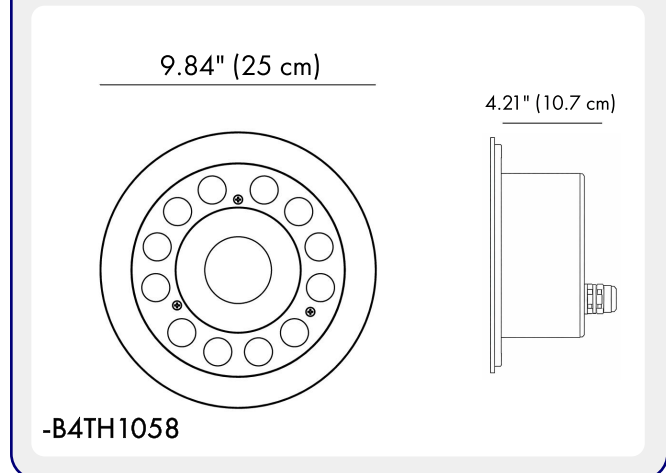
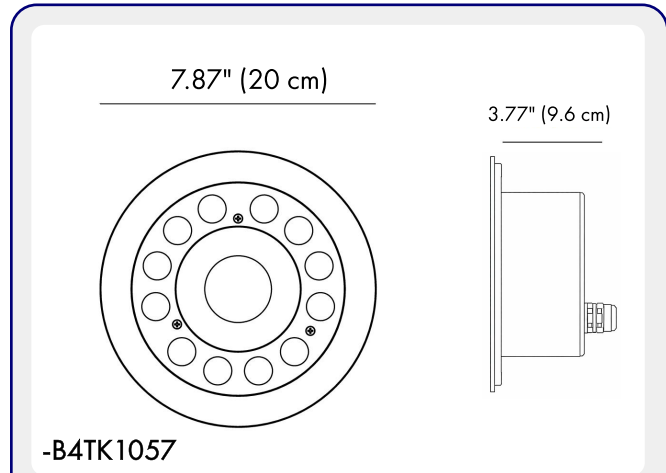


991 South Gull Lake Dr  
Richland, MI 49083  
USA

FIXTURE TYPE: \_\_\_\_\_

PROJECT NAME: \_\_\_\_\_

NOTES:



**HOW TO ORDER:** \_\_\_\_\_ **CODE:** \_\_\_\_\_

Example:  
 CODE: BO-LN-KPG-PFL-XXX-XXX-XXX-XXX-XXX-XXX  
 BO-LN-KPG-PFL-B4TK1057-K30-B27-12-DIM-B

**1 MODEL:**

**CODE -B4TK1057**

DIMENSIONS:

Diameter - Ø: 7.87" (20 cm)  
 Height - H: 3.77" (9.6 cm)

LIGHT SOURCE:

LED / 10 × 1.8W / 833 mA / 1607 lm / DC 24

**CODE -B4TH1058**

DIMENSIONS:

Diameter - Ø: 9.84" (25 cm)  
 Height - H: 4.21" (10.7 cm)

LIGHT SOURCE:

LED / 10 × 3W / 1458 mA / 2678 lm / DC 24

**2 CCT OPTIONS:**

-K30 3000K  
 -CUS Custom on request\*

**3 BEAM ANGLE:**

<i>available only for</i>	<i>available only for</i>
<i>-B4TK1057 model</i>	<i>-B4TH1058 model</i>
-B27-13 13°	-B92-10 10°
-B27-25 25°	-B92-25 25°
-B27-30 30°	-B92-30 30°
	-B92-36 36°

**4 DIMMING OPTIONS:**

-DIM 1-10V  
 -PWM Pulse Width Modulation  
 -DALI DALI (Digital Addressable Lighting Interface)

sales@gordonbullard.com  
 www.bullardoutdoor.com  
 1-877-964-4646



991 South Gull Lake Dr  
 Richland, MI 49083  
 USA

FIXTURE TYPE: \_\_\_\_\_

PROJECT NAME: \_\_\_\_\_

NOTES:



**HOW TO ORDER:**

**CODE:**

Example:  
CODE: BO-LN-KPG-PFL-XXX-XXX-XXX-XXX-XXX-XXX

BO-LN-KPG-PFL-B4TK1057-K30-B27-12-DIM-B

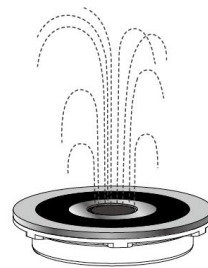
**5 WATER PROOF SOLUTION: (optional)**

**A Water-Stopper(Included)**  
A IP-67 water-stopper is added in the end of luminaires as standard assembly which is also an important system for water resistance.

**-B B IP68 Jiffy quick plug/socket connector(Option)**  
A IP-68 connector is as an optional assembly and ensures that water vapor will not enter into luminaires directly.



**6 DETAILED VIEW:**

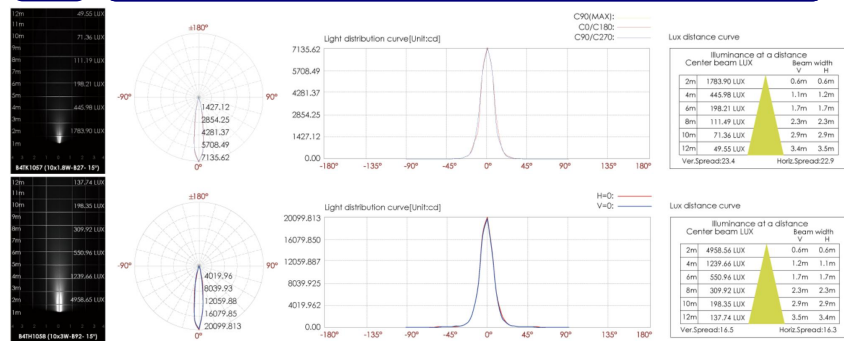


Central Ejective



Water jet pipe G3/4" taper

**7 PHOTOMETRIC INFO:**



sales@gordonbullard.com  
www.bullardoutdoor.com  
1-877-964-4646



991 South Gull Lake Dr  
Richland, MI 49083  
USA