



FIXTURE TYPE: \_\_\_\_\_

PROJECT NAME: \_\_\_\_\_



- Warning : Must be installed under the water to prevent the light from being burnt off because of over-heating
- Water temperature between -4°F and 104°F; depth less than 1 meter

**GENERAL INFORMATION:**

Durable and efficient underwater LED spotlight designed for long-term submersion. Built with hard chrome-plated SUS 316# stainless steel housing, high-efficiency optics ( $\geq 85\%$ ), and IP68 waterproof protection. Ideal for fountains, pools, and aquatic displays. Operates on DC 24V with excellent heat dissipation and reliable performance in harsh environments.

**FIXTURE TYPE:**

Pool/Fountain Luminaires - Spotlights

**LIGHTING:**

LED

LED

**VOLTAGE:**

DC 24

**MATERIAL:**

Hard chromeplated Molding shaped stainless steel SUS 316#

**LENS:**

Separate OPTICS lens efficiency  $\geq 85\%$

**WATERPROOF SEAL:**

EPDM gasket

**CABLE GLAND:**

IP68 M1 6a copper with nickel-coated

**PCB:**

Excellent heat conductivity aluminum. coefficient of heat Conductivity  $\geq 2.0w/mk$

**CRI:**

80

**IP RATING:**

IP 68

IP68

**IK RATING:**

IK 06

sales@gordonbullard.com  
www.bullardoutdoor.com  
1-877-964-4646

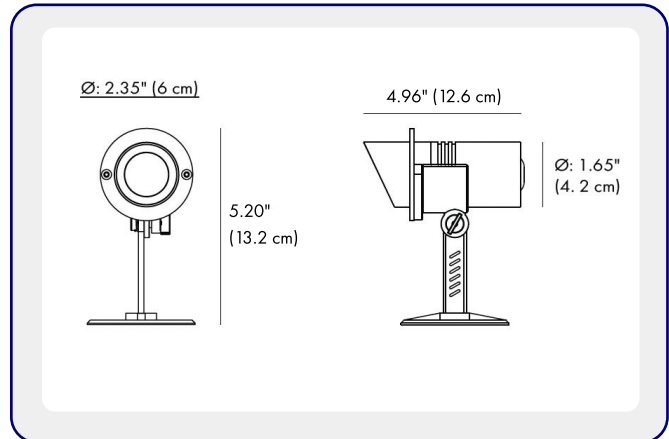


991 South Gull Lake Dr  
Richland, MI 49083  
USA

FIXTURE TYPE: \_\_\_\_\_

PROJECT NAME: \_\_\_\_\_

NOTES:



**HOW TO ORDER:** \_\_\_\_\_ **CODE:** \_\_\_\_\_

Example:  
CODE: BO-SCL-KPG-PFL-XXX-XXX-XXX-XXX-XXX-XXX

BO-SCL-KPG-PFL-B5AF0159-K30-B73-30-DIM-B

**1 MODEL:** \_\_\_\_\_

CODE -B5AF0159

**DIMENSIONS:**

Diameter - Ø: 2.35" (6 cm)  
Height - H: 5.20" (13.2 cm)

**LIGHT SOURCE:**

LED / 1 × 3.6W / 210 mA / 426 lm / DC 24

**2 CCT OPTIONS:** \_\_\_\_\_

-K30 3000K  
-CUS Custom on request\*

**3 BEAM ANGLE:** \_\_\_\_\_

-B73-30 30°

**4 DIMMING OPTIONS:** \_\_\_\_\_

-DIM 1-10V  
-PWM Pulse Width Modulation  
-DALI DALI (Digital Addressable Lighting Interface)

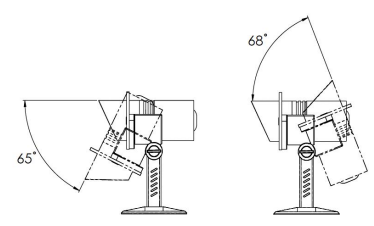
**5 WATER PROOF SOLUTION: (optional)** \_\_\_\_\_

**A Water-Stopper(Included)**  
A IP-67 water-stopper is added in the end of luminaires as standard assembly which is also an important system for water resistance.

**-B B IP68 Jiffy quick plug/socket connector(Option)**  
A IP-68 connector is as an optional assembly and ensures that water vapor will not enter into luminaires directly.



**6 ADJUSTABLE BEAM DIRECTION:**



sales@gordonbullard.com  
www.bullardoutdoor.com  
1-877-964-4646



991 South Gull Lake Dr  
Richland, MI 49083  
USA

FIXTURE TYPE: \_\_\_\_\_

PROJECT NAME: \_\_\_\_\_

NOTES:



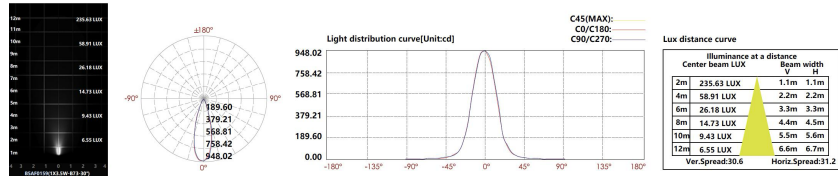
**HOW TO ORDER:**

**CODE:**

Example:  
CODE: BO-SCL-KPG-PFL-XXX-XXX-XXX-XXX-XXX-XXX

BO-SCL-KPG-PFL-B5AF0159-  
K30-B73-30-DIM-B

**7 PHOTOMETRIC INFO:**








sales@gordonbullard.com  
 www.bullardoutdoor.com  
 1-877-964-4646



991 South Gull Lake Dr  
 Richland, MI 49083  
 USA