



**BULLARD  
OUTDOOR**  
BUILT for the STORM

INSTALLATION INSTRUCTION  
01/15/2026

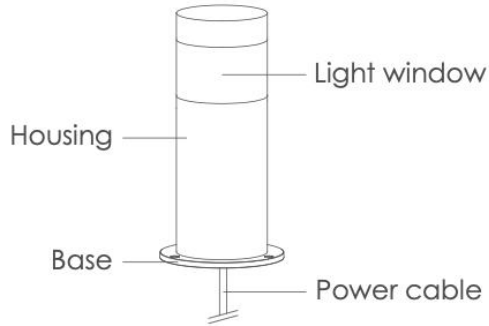
# THE FRESNO

INSTALLATION TYPE: ANCHOR MOUNT

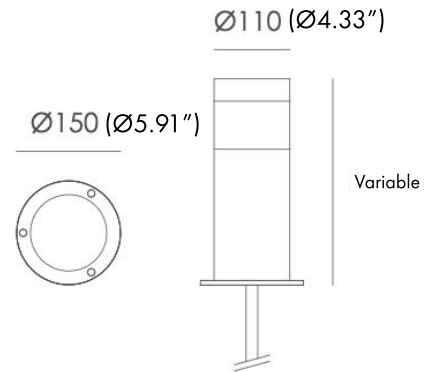


# 1. EXTERIOR DETAILS

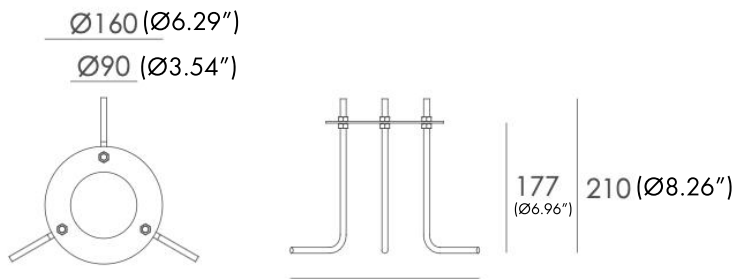
## 1.1 Luminaire



## 1.2 Dimension



## 1.3 Inground Base (Optional)



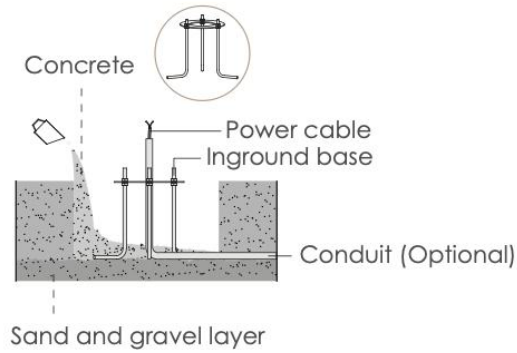
### Data Sheet:

Input Voltage (V): 110-277

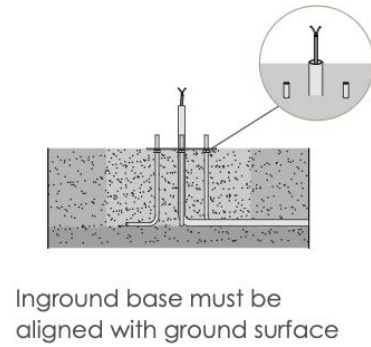
IK: 07

## INSTALLATION OPTION 1: Anchor Mounted

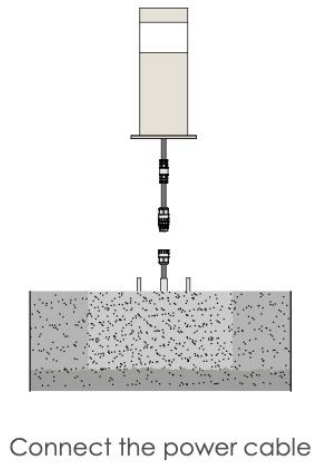
### Step 1



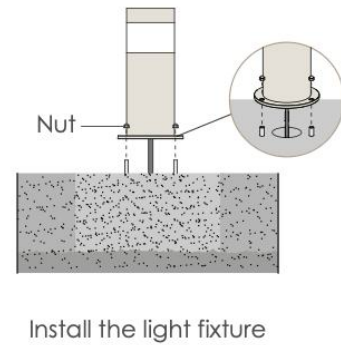
### Step 2



### Step 3

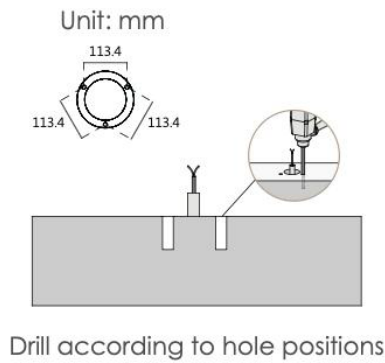


### Step 4

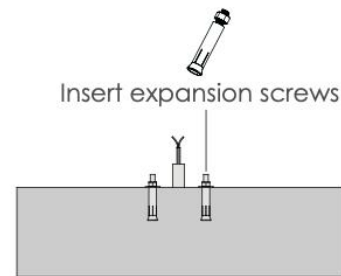


## INSTALLATION OPTION 2: Surface Mounted

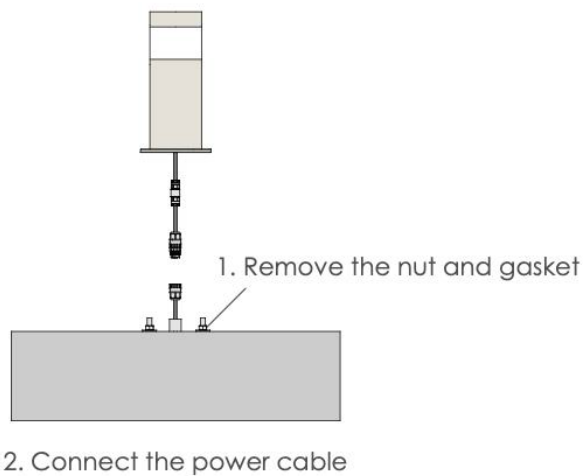
### Step 1



### Step 2



### Step 3



### Step 4

