



FIXTURE TYPE: _____

PROJECT NAME: _____



- Water temperature between -4°F and 104°F; depth less than 1 meter

GENERAL INFORMATION:

The FIORE Pool/Fountain Luminaire by Bullard Outdoor is a durable DC 24V LED fixture made from chrome-plated stainless steel SUS 316L#. Featuring an efficient PC optics lens and IP68 protection, it provides reliable underwater illumination. With built-in heat protection and excellent thermal conductivity, FIORE ensures long-lasting performance in pool and fountain environments.

FIXTURE TYPE:

Pool/Fountain Luminaires - Recessed Linear Pool

LIGHTING:

LED

LED

VOLTAGE:

DC 24

MATERIAL:

Hard Chromeplated Molding Shaped Stainless Steel SUS316L#

LENS:

PC / OPTICS lens. efficiency≥85%

CABLE GLAND:

IP68 PG-11 Copper with Nickel-Coated

PCB:

Excellent heat conductivity aluminum.coefficient of heat Conductivity≥2.0w/mk

BUILT-IN OVERHEAT SENSOR SYSTEM:

Automatic Shutdown at 75°C

CRI:

80

IP RATING:

IP 68

IP68

IK RATING:

IK 09

sales@gordonbullard.com

www.bullardoutdoor.com

1-877-964-4646



991 South Gull Lake Dr

Richland, MI 49083

USA

FIXTURE TYPE: _____

PROJECT NAME: _____

NOTES:

HOW TO ORDER:

CODE:

Example:
CODE: BO-FRE-KPG-PFL-XXX-XXX-XXX-XXX-XXX-XXX

BO-FRE-KPG-PFL-
B4QA0658F-B27-30-DIM-B

1 MODEL:

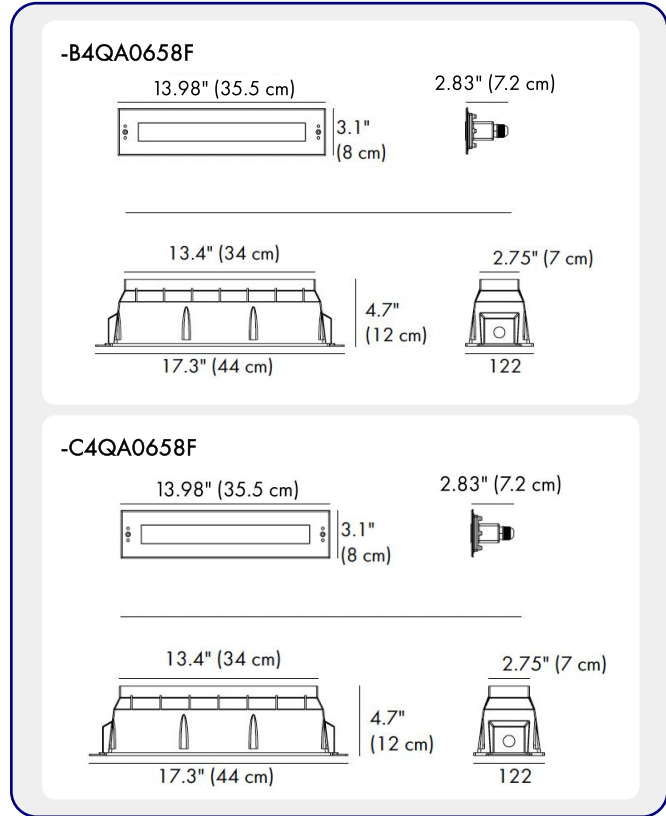
CODE **-B4QA0658F** Symmetrical

DIMENSIONS:

Length - L: 13.98" (35.5 cm)
Height - H: 3.1" (8 cm)
Width - W: 2.83" (7.2 cm)

LIGHT SOURCE:

LED / 6 x 3W / 950 mA / 1578 lm / DC 24



CODE **-C4QA0658F** Asymmetrical

DIMENSIONS:

Length - L: 13.98" (35.5 cm)
Height - H: 3.1" (8 cm)
Width - W: 2.83" (7.2 cm)

LIGHT SOURCE:

LED / 6 x 3W / 950 mA / 1280 lm / DC 24

2 CCT OPTIONS:

-K30 3000K
-CUS Custom on request*

3 BEAM ANGLE:

<p>available only for -B4QA0658F model</p> <p>-B27-15 15° -B27-25 25° -B27-30 30°</p>	<p>available only for -C4QA0658F model</p> <p>-C11-45 45 x 35°</p>
--	---

4 DIMMING OPTIONS:

-DIM 1-10V
-PWM Pulse Width Modulation
-DALI DALI (Digital Addressable Lighting Interface)



sales@gordonbullard.com
www.bullardoutdoor.com
1-877-964-4646



991 South Gull Lake Dr
Richland, MI 49083
USA

FIXTURE TYPE: _____

PROJECT NAME: _____

NOTES:



HOW TO ORDER:

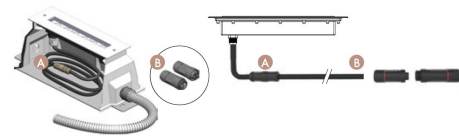
CODE:

Example:
CODE: BO-KVN-KPG-PFL-XXX-XXX-XXX-XXX-XXX-XXX

BO-FRE-KPG-PFL-
B4QA0658F-B27-30-DIM-B

5 WATER PROOF SOLUTION: (optional)

- A Water-Stopper(Included)**
A IP-67 water-stopper is added in the end of luminaires as standard assembly which is also an important system for water resistance.
- B B IP68 Jiffy quick plug/socket connector(Option)**
A IP-68 connector is as an optional assembly and ensures that water vapor will not enter into luminaires directly.



6 SLEEVE: (included)

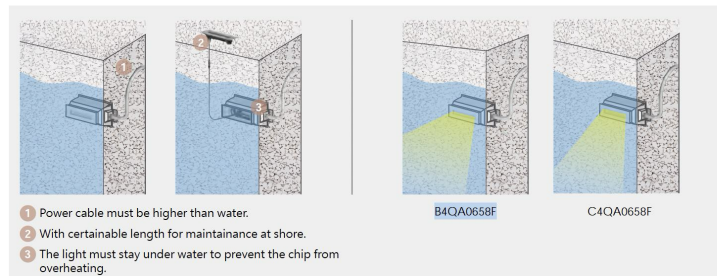


Mounting Sleeve 122#



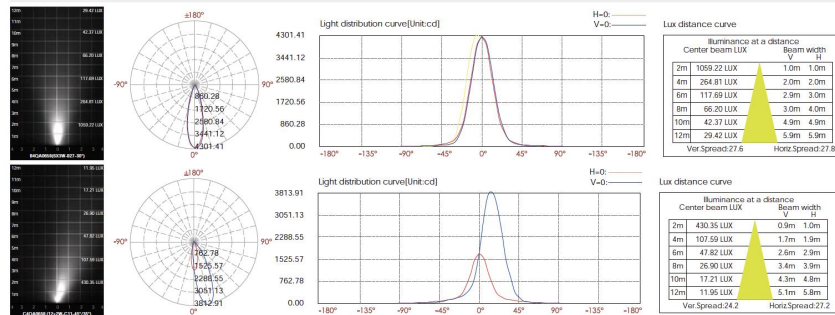
- C Fixator:** Easier mounting sleeve installment.
- D IP68 cable gland:** Prevents water from getting into the cable tube. Please prepare your own cable tube.

7 INSTALLATIONS GUIDANCE:



- 1 Power cable must be higher than water.
- 2 With certainable length for maintenance at shore.
- 3 The light must stay under water to prevent the chip from overheating.

8 PHOTOMETRIC INFO:



sales@gordonbullard.com
www.bullardoutdoor.com
1-877-964-4646



991 South Gull Lake Dr
Richland, MI 49083
USA