



FIXTURE TYPE: _____

PROJECT NAME: _____

NOTES:



HOW TO ORDER:

CODE:

**Example:
CODE: BO-SAN070-SD-JB-SAN072-TA**

**BO-SAN070-SD-
JB-SAN072-TA**

GENERAL INFORMATION:

Polyethylene folds like paper of the ancient Japanese art of the Origami and this particular elegance characterized the whole Kami collection, designed by Marc Sadler. Kami San is an armchair with a soft and comfortable shape. Kami San is a perfect synthesis between aesthetic and comfort, and it completes outdoor and indoor settings with elegance. As the whole Kami collection, Kami San is an armchair ideal for indoor and outdoor areas of contract projects and private homes.

FIXTURE TYPE:

Non-Illuminated Furniture / Armchair

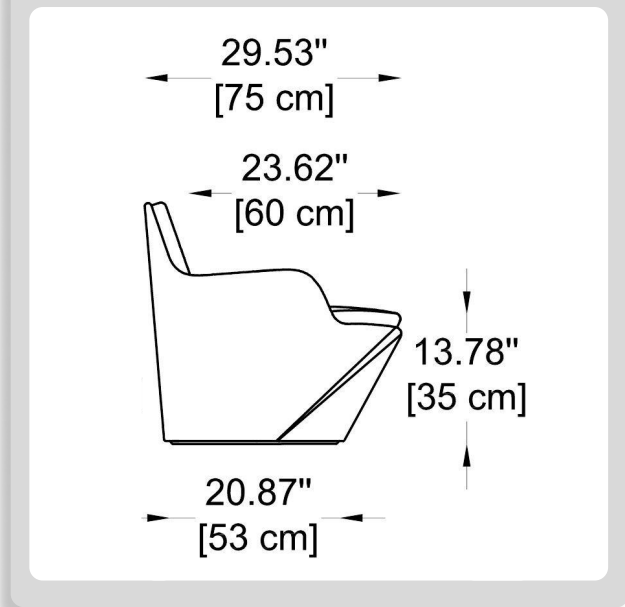
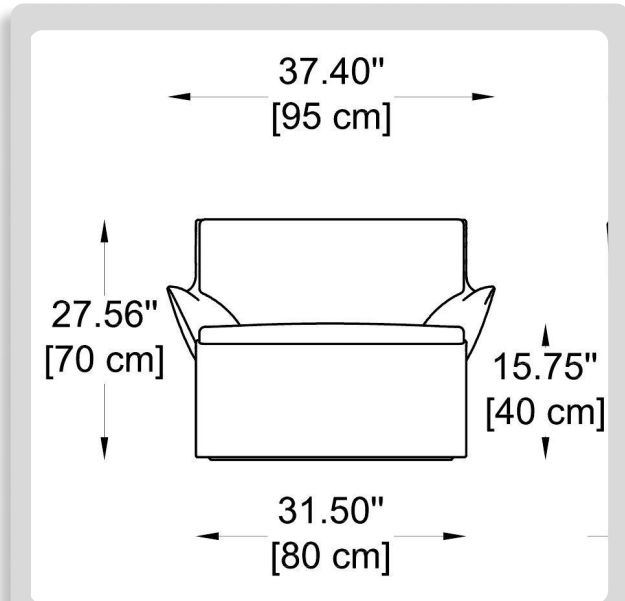
MATERIAL:

Polyethylene

FIXTURE TYPE: _____

PROJECT NAME: _____

NOTES:



HOW TO ORDER:

CODE:

Example:
CODE: BO-SAN070-SD-JB-SAN072-TA

BO-SAN070-SD-
JB-SAN072-TA

1 DIMENSIONS:

- A) Height - H: 27.56" (70 cm)
- B) Length - L: 37.40" (95 cm)
- B) Width - W: 29.53" (75 cm)

2 FINISH OPTIONS:

STANDARD COLOURS:

-MW	Milky White		-PB	Powder Blue	
-JB	Jet Black		-MG	Malva Green	
-EG	Elephant Grey		-LG	Lime Green	
-CB	Chocolate Brown		-SY	Saffron Yellow	
-AG	Argil Grey		-PO	Pumpkin Orange	
-DG	Dove Grey		-FR	Flame Red	
			-SF	Sweet Fuchsia	

LACQUERED (GLOSSY)

- AW-G Absolute White
- GB-G Glamour Black
- VG-G Vanity Grey
- CI-G Charming Ivory
- SR-G Supreme Red
- MD-G Metallic Gold
- MS-G Metallic Silver
- MC-G Metallic Copper

LACQUERED (MATT)

- AW-M Absolute White
- GB-M Glamour Black
- VG-M Vanity Grey
- CI-M Charming Ivory
- SR-M Supreme Red
- MD-M Metallic Gold
- MS-M Metallic Silver
- MC-M Metallic Copper

3 ACCESSORIES (no-included):

CUSHION **-SAN072**

Material:

Rubber filling with outdoor waterproof acrylic cover (removable)

Dimensions:

L: 37.4" (95 cm) x H: 1.18" (3 cm) x W: 28.74" (73 cm)

Finish options:

- TA Cotton white 
- TP Mineral grey 



sales@gordonbullard.com
www.bullardoutdoor.com
1-877-964-4646



991 South Gull Lake Dr
Richland, MI 49083
USA