



FIXTURE TYPE: _____

PROJECT NAME: _____

-BOAZC0857



-BOAZC1657



-BOAZC3257



GENERAL INFORMATION:

THE OSPREY by Bullard Outdoor blends architectural presence with dependable outdoor performance. Defined by a tall, minimal pole and adjustable cylindrical spotlight heads, its clean, utilitarian design is ideal for parking areas, plazas, pathways, and large-scale architectural exteriors. The multi-head configuration allows for targeted illumination across wide outdoor spaces.

Constructed from die-cast aluminum with a durable powder-coated finish, THE OSPREY is engineered for long-term outdoor use with excellent corrosion resistance. It features efficient LED lighting delivering controlled, focused light with a CRI of 80. Designed to operate on 110–277V, it offers reliable protection with an IP65 weather rating and IK07 impact resistance. Available in sanded black and dark gray finishes.

FIXTURE TYPE:

Urban Luminaires

LIGHTING

LED

LED

VOLTAGE:

110-277V



MATERIAL:

Die-casting aluminum finishing

LENS:

B57

CRI:

80

IP RATING:

IP 65

IP65

IK RATING:

IK 07

BUILT FOR THE STORM

sales@gordonbullard.com

www.bullardoutdoor.com

1-877-964-4646



991 South Gull Lake Dr

Richland, MI 49083

USA

FIXTURE TYPE: _____

PROJECT NAME: _____

NOTES:

-B0AZC0857



-B0AZC1657



-B0AZC3257



HOW TO ORDER:

CODE:

Example:
CODE: BO-OP-KPG-PL-B0AZC0857-K30-KAP7037-DIM-B15-A1-IB

BO-OP-KPG-PL-
B0AZC0857-K30-
KAP7037-DIM-B15-A1-IB

1

MODELS:

CODE-B0AZC0857

DIMENSIONS:

Pole Diameter - Ø: 2.36" (6 cm)

Height - H: 86.6" (220 cm)

LIGHT SOURCE:

LED / 20 W / 120=166 mA/240V=87mA / 1243
lm / 110-277V

CODE -B0AZC1657

DIMENSIONS:

Pole Diameter - Ø: 2.36" (6 cm)

Height - H: 86.6" (220 cm)

LIGHT SOURCE:

LED / 40 W / 120V=332 mA/240V=174mA /
2468 lm / 110-277V

CODE -B0AZC3257

DIMENSIONS:

Pole Diameter - Ø: 2.36" (6 cm)

Height - H: 86.6" (220 cm)

LIGHT SOURCE:

LED / 80 W / 120V=664 mA/240V=348mA /
4972 lm / 110-277V

2

CCT OPTIONS:

-K30 3000K

-CUS Custom on request*

3

FINISH OPTIONS:

-KAP7037 Sanded Dark Gray

-RAL9005 Sanded Black

4

DIMMING OPTIONS:

-DIM 1-10V

-PWM Pulse Width Modulation

-DALI DALI (Digital Addressable Lighting Interface)

sales@gordonbullard.com

www.bullardoutdoor.com

1-877-964-4646



991 South Gull Lake Dr

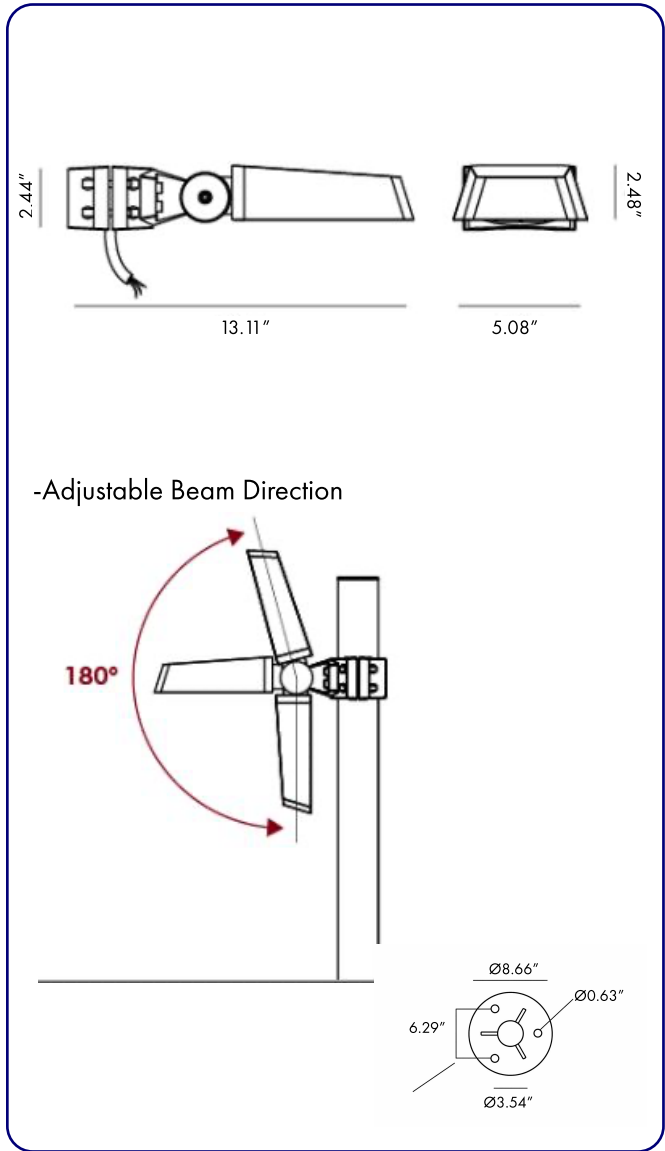
Richland, MI 49083

USA

FIXTURE TYPE: _____

PROJECT NAME: _____

NOTES:



HOW TO ORDER:

CODE:

Example:
CODE: BO-OP-KPG-PL-BOAZC0857-K30-KAP7037-DIM-B15-A1-IB

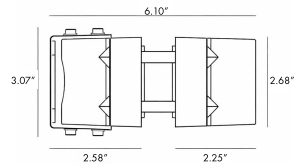
BO-OP-KPG-PL-
BOAZC0857-K30-
KAP7037-DIM-B15-A1-IB

5 BEAM

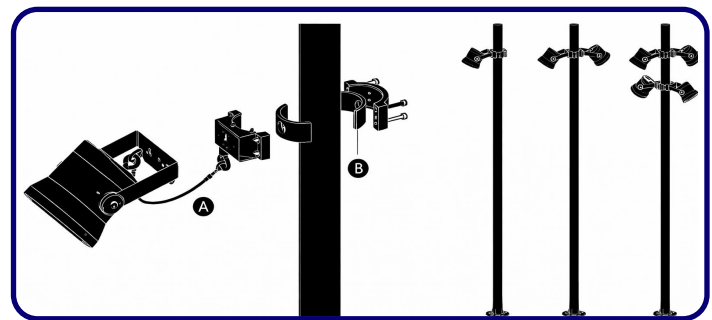
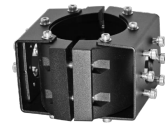
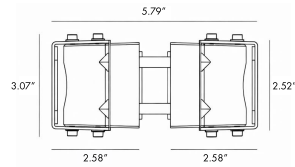
- B10 10°
- B20 20°
- B50 50°

6 ACCESSORIES

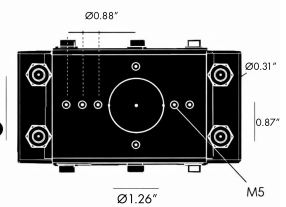
-A1 One side - BO-RP001-KPG-BL



-A2 Two sides - BO-RP002-KPG-BL



- 1 Compatible with all brands and models.
- 2 Safety hook(s) included (see A of image 1)
- 3 Two sizes of rubber gaskets included (see B of image 1) which can be selected based on the diameter of the installing pole. Please refer to the manual for details.
- 4 All stainless steel 304# screws



sales@gordonbullard.com
www.bullardoutdoor.com
1-877-964-4646



991 South Gull Lake Dr
Richland, MI 49083
USA

FIXTURE TYPE: _____

PROJECT NAME: _____

NOTES:

-BOAZC0857



-BOAZC1657



-BOAZC3257



LED
110-277V
 7.5'
IP65

HOW TO ORDER:

CODE:

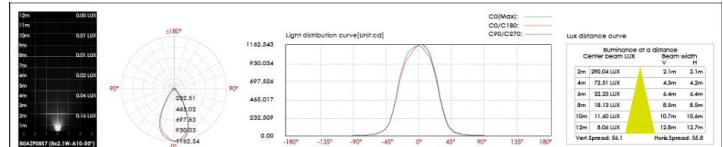
Example:
 CODE: BO-OP-KPG-PL-BOAZC0857-K30-KAP7037-DIM-B15-A1-IB

BO-ST-KPG-BL-
 BOAZC0857-K30-
 KAP7037-DIM-B15-A1-IB

7 INSTALLATION TYPE:

- SB Screw Base (included)
- IB Inground Base (optional)
- GAB Ground Anchor Base (optional)

8 PHOTOMETRIC INFO:



sales@gordonbullard.com
 www.bullardoutdoor.com
 1-877-964-4646



991 South Gull Lake Dr
 Richland, MI 49083
 USA