



FIXTURE TYPE: _____

PROJECT NAME: _____



GENERAL INFORMATION:

The Avior is an in-ground lighting fixture powered by LEDs and made from die-cast aluminum. It is available in 1 size in a Sanded Black finish. The voltage range is 110-277V. Additionally, this fixture is equipped with an IP67 water stopper, which is included as a standard assembly at the end of the luminaires

FIXTURE TYPE:

Inground Luminaires - Compact/Mini

LIGHTING:

LED

LED

VOLTAGE:

110-277V



MATERIAL:

12# Die-casting dark grey powder coated aluminium

CRI:

80

IP RATING:

IP 67

IP67

IK RATING:

IK 08

sales@gordonbullard.com
www.bullardoutdoor.com
1-877-964-4646

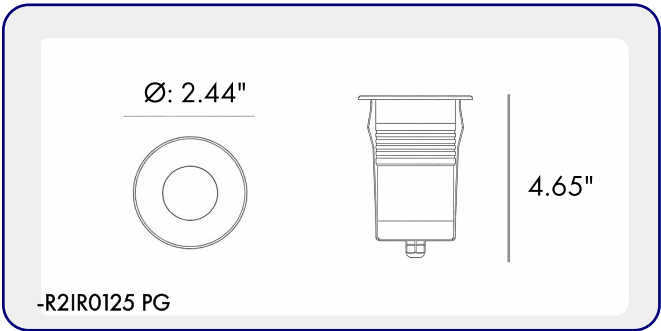


991 South Gull Lake Dr
Richland, MI 49083
USA

FIXTURE TYPE: _____

PROJECT NAME: _____

NOTES:



HOW TO ORDER: CODE:

Example:
CODE: BO-AV-KPG-IL-XXX-XXX-XXX-XXX-XXX-XXX

BO-AV-KPG-IL-R2IR0125 PG-K30-R7-18-DIM-

1 MODELS:

CODE -R2IR0125 PG

DIMENSIONS:
Diameter - Ø: 2.44" (6.2 cm)
Height - H: 4.65" (11.8 cm)

LIGHT SOURCE:
LED / 1 x 5W / 51 mA / 506 lm / IK 08 / 110-277V

2 CCT OPTIONS:

-K30
-CUS

3 BEAM ANGLE:

-R7-18 18°
-R7-24 24°
-R7-32 32°

4 DIMMING OPTIONS:

-DIM 1-10V
-PWM Pulse Width Modulation
-DALI DALI (Digital Addressable Lighting Interface)

5 WATER PROOF SOLUTION: (optional)

-B

A Water-Stopper(Included)
IP-67 water-stopper is added in the end of luminaires as standard assembly which is also an important system for water resistance.

B IP67 Jiffy quick plug/socket connector(Optional)
IP-67 connector is as an Optional assembly and ensures that water vapor will not enter into luminaires directly.



FIXTURE TYPE: _____

PROJECT NAME: _____

NOTES:



HOW TO ORDER:

CODE:

Example:
CODE: BO-AV-KPG-IL-XXX-XXX-XXX-XXX-XXX-XXX

BO-AV-KPG-IL-R2IR0125 PG-K30-R7-18-DIM-

6 ACCESSORIES:

HONEYCOMB LOUVER (INCLUDED) -Mh015



SLEEVE (OPTION 1)

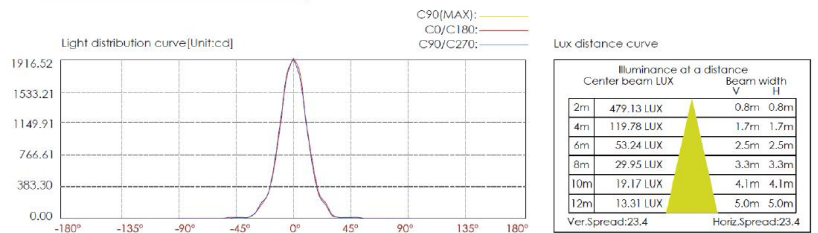
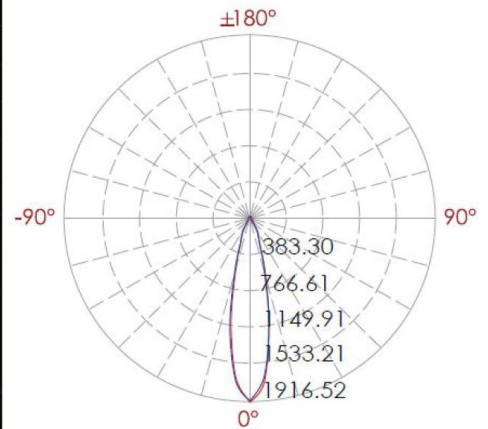
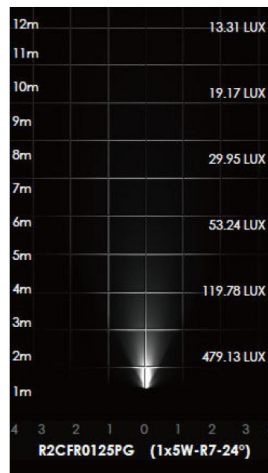
SLEEVE (OPTION 2)



-A07

-184#

7 PHOTOMETRIC INFO:



sales@gordonbullard.com
www.bullardoutdoor.com
1-877-964-4646



991 South Gull Lake Dr
Richland, MI 49083
USA