

FIXTURE TYPE: \_\_\_\_\_

PROJECT NAME: \_\_\_\_\_



- Water temperature between -4°F and 104°F; depth less than 1 meter

**GENERAL INFORMATION:**

The ERBA Recessed Pool/Fountain Luminaire by Bullard Outdoor is a durable DC 24V LED fixture made from chrome-plated stainless steel SUS 316L#. Featuring a high-efficiency PC optics lens, IP68 protection, and built-in thermal shutdown, it delivers reliable underwater lighting for pools and fountains.

**FIXTURE TYPE:**

Pool/Fountain Luminaires - Recessed Linear Pool

**LIGHTING:**

LED

LED

**VOLTAGE:**

DC 24

**MATERIAL:**

Hard Chromeplated Molding Shaped Stainless Steel SUS316L#

**LENS:**

PC / OPTICS lens. efficiency≥85%

**CABLE GLAND:**

IP68 PG-11 Copper with Nickel-Coated

**PCB:**

Excellent heat conductivity aluminum. coefficient of heat Conductivity≥2.0w/mk

**BUILT-IN OVERHEAT SENSOR SYSTEM:**

Automatic Shutdown at 75°C

**CRI:**

80

**IP RATING:**

IP 68

IP68

**IK RATING:**

IK 09

sales@gordonbullard.com  
www.bullardoutdoor.com  
1-877-964-4646



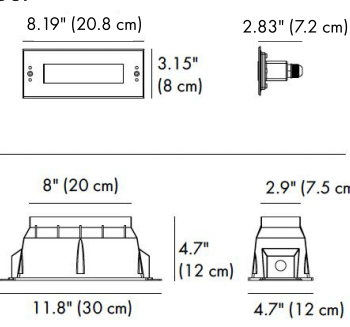
991 South Gull Lake Dr  
Richland, MI 49083  
USA

FIXTURE TYPE: \_\_\_\_\_

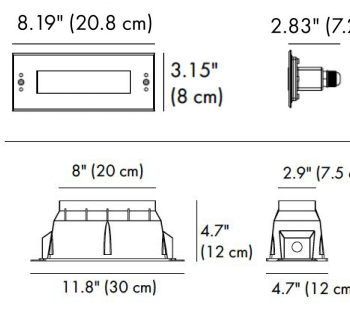
PROJECT NAME: \_\_\_\_\_

NOTES:

**-B4QA0358F**



**-C4QA0358F**





**HOW TO ORDER:**

**CODE:**

Example:  
CODE: BO-ERB-KPG-PFL-XXX-XXX-XXX-XXX-XXX-XXX

BO-ERB-KPG-PFL-  
B4QA0358F-B26-8-DIM-B

**1 MODEL:**

CODE **-B4QA0358F** Symmetrical

DIMENSIONS:

Length - L: 8.19" (20.8 cm)  
Height - H: 3.15" (8 cm)  
Width - W: 2.83" (7.2 cm)

LIGHT SOURCE:

LED / 3 × 4W / 535 mA / 1000 lm / DC 24

CODE **-C4QA0358F** Asymmetrical

DIMENSIONS:

Length - L: 8.19" (20.8 cm)  
Height - H: 3.15" (8 cm)  
Width - W: 2.83" (7.2 cm)

LIGHT SOURCE:

LED / 3 × 3.4W / 535 mA / 900 lm / DC 24

**2 CCT OPTIONS:**

-K30 3000K  
-CUS Custom on request\*

**3 BEAM ANGLE:**

<p>available only for <b>-B4QA0358F model</b></p> <p>-B26-8 8° -B27-15 15° -B27-25 25° -B27-30 30°</p>	<p>available only for <b>-C4QA0358F model</b></p> <p>-C11-45 45 x 35°</p>
--	---

**4 DIMMING OPTIONS:**

-DIM 1-10V  
-PWM Pulse Width Modulation  
-DALI DALI (Digital Addressable Lighting Interface)

sales@gordonbullard.com  
www.bullardoutdoor.com  
1-877-964-4646



991 South Gull Lake Dr  
Richland, MI 49083  
USA

FIXTURE TYPE: \_\_\_\_\_

PROJECT NAME: \_\_\_\_\_

NOTES:



**HOW TO ORDER:**

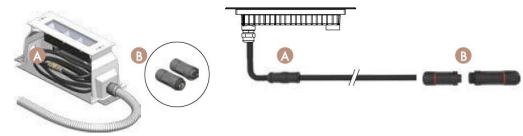
**CODE:**

Example:  
CODE: BO-ERB-KPG-PFL-XXX-XXX-XXX-XXX-XXX-XXX

BO-ERB-KPG-PFL-  
B4QA0358F-B26-8-DIM-B

**5 WATER PROOF SOLUTION: (optional)**

- A Water-Stopper(Included)**  
A IP-67 water-stopper is added in the end of luminaires as standard assembly which is also an important system for water resistance.
- B B IP68 Jiffy quick plug/socket connector(Option)**  
A IP-68 connector is as an optional assembly and ensures that water vapor will not enter into luminaires directly.

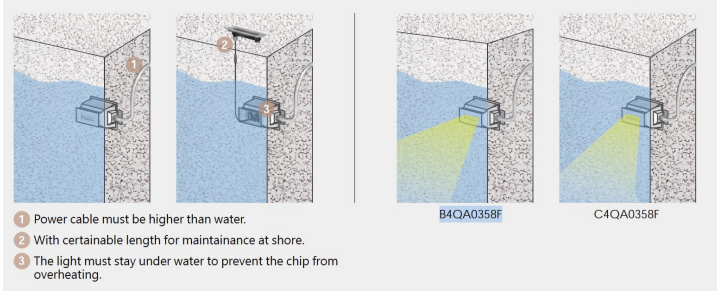


**6 SLEEVE: (included)**



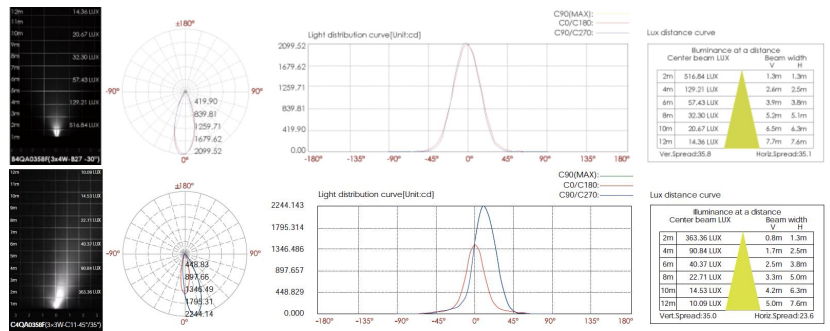
- C Fixator:** Easier mounting sleeve installation.
- D IP68 cable gland:** Prevents water from getting into the cable tube. Please prepare your own cable tube.

**7 INSTALLATIONS GUIDANCE:**



**1** Power cable must be higher than water.  
**2** With certainable length for maintenance at shore.  
**3** The light must stay under water to prevent the chip from overheating.

**8 PHOTOMETRIC INFO:**



sales@gordonbullard.com  
www.bullardoutdoor.com  
1-877-964-4646



991 South Gull Lake Dr  
Richland, MI 49083  
USA