



FIXTURE TYPE: \_\_\_\_\_

PROJECT NAME: \_\_\_\_\_

NOTES:



**GENERAL INFORMATION:**

Break Bar is a luminous bar counter, a modern display system, modular and versatile. It is ideal to use as bar counter or reception desk. Thanks to its dimension, Break bar is a useful and complete bar counter that lights up all kinds of spaces, including small areas. It perfectly matches with the other luminous display, as Break Line, Break Corner and Ice Bar. This luminous modular bar counter is ideal for contract and events, for an essential and elegant design. Break Bar is available in lighting white, and it could be customised with logos or images, ensuring a unique, easily identified product.

**FIXTURE TYPE:**

Illuminated Furniture

**VOLTAGE:**

110-277V

**MATERIAL:**

Polyethylene

**IP RATING:**

IP 55

**IP 55**

**FINISH OPTION:**

Light white

**WARRANTY:**

Lighting products are warranted for 5 years.

**APPLIANCE CLASS:**

II



sales@gordonbullard.com  
 www.bullardoutdoor.com  
 1-877-964-4646

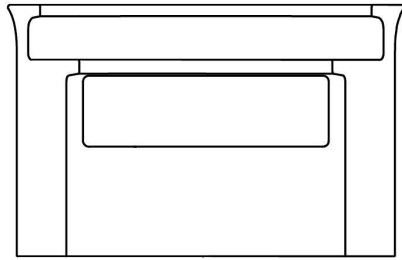


991 South Gull Lake Dr  
 Richland, MI 49083  
 USA

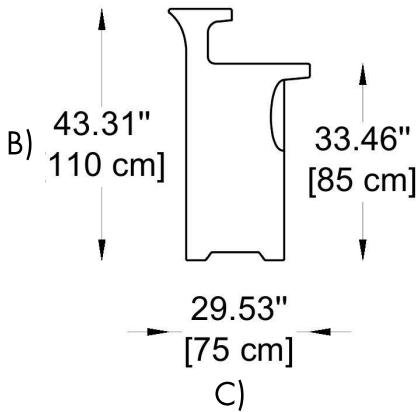
FIXTURE TYPE: \_\_\_\_\_

PROJECT NAME: \_\_\_\_\_

NOTES:



68.11"  
[173 cm]  
A)



**HOW TO ORDER:**

**CODE:**

**Example:**  
**CODE: BO-LPBRB-SD-111-112**

**BO-LPBRB-SD-111-112**

**1 DIMENSIONS:**

A) Length - L: 68,11" (173 cm)  
B) Height - H: 43,31" (110 cm)  
C) Width - W: 29,53" (75 cm)

**2 LIGHT SOURCE:**

E26 / 2 x max. 15W / 110-277V

**3 FINISH OPTION:**

Light white

**4 WIRING:**

Black cable (Length 10 ft.)

**5 WEIGHT:**

94,79 lb

**6 ACCESSORIES: (not-included)**

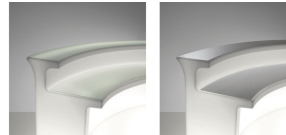
**DESKS:**

-111 Satinated glass  
-113 Steel silver

**TOPS:**

-112 Satinated glass  
-114 Steel silver

Satinated glass Steel silver



**E26**

**IP 55**



sales@gordonbullard.com

www.bullardoutdoor.com

1-877-964-4646



991 South Gull Lake Dr

Richland, MI 49083

USA