

FIXTURE TYPE: _____

PROJECT NAME: _____



GENERAL INFORMATION:

The KAUS Ceiling Luminaire delivers powerful, efficient lighting in a minimalist cylindrical form. Designed for both indoor and outdoor applications, it features a robust die-cast and extruded aluminum housing with a high-quality powder-coated finish for superior durability. The tempered glass lens (T=3mm, B57) ensures even light distribution and reliable protection for the integrated LED system. With a CRI of 80 for natural color accuracy, IP65 weather protection, and IK06 impact resistance, the KAUS provides dependable illumination in challenging environments. Operating on a 110–277V universal input, it's available in sanded bronze, dark gray, black, and white finishes.

FIXTURE TYPE:

Ceiling Luminaires

LIGHTING

LED

LED

VOLTAGE:

110-277V



MATERIAL:

Die-casting aluminum / Extruded aluminum alloy

LENS:

Glass T=3mm / B57

CRI:

80

IP RATING:

IP 65

IP65

IK RATING:

IK 06

FINISHING:

- Sanded Bronze
- Sanded Dark Gray
- Sanded Black
- Sanded White

sales@gordonbullard.com

www.bullardoutdoor.com

1-877-964-4646



991 South Gull Lake Dr

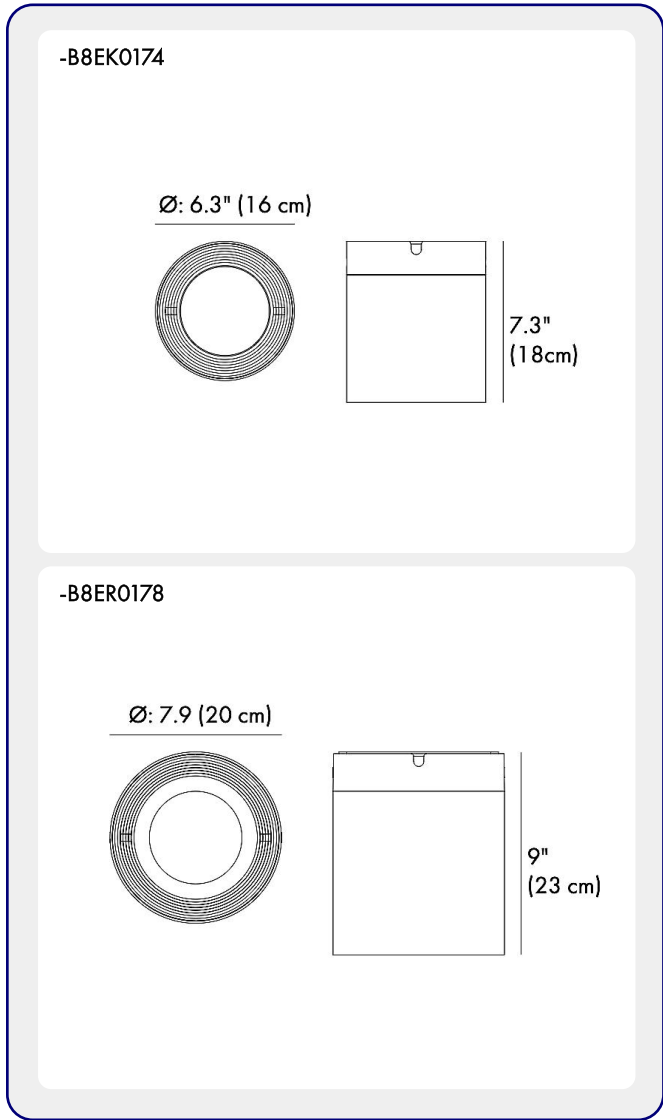
Richland, MI 49083

USA

FIXTURE TYPE: _____

PROJECT NAME: _____

NOTES:



HOW TO ORDER:

CODE:

Example:
CODE: BO-KLS-KPG-CL-XXX-XXX-XXX-XXX-XXX-XX

BO-KLS-KPG-CL-
B8EK0174K-K30-B57-15-
KAP7008-Mh072

1 MODELS:

CODE -B8EK0174

DIMENSIONS:

Diameter - Ø: 6.3" (16 cm)
Height - H: 7.3" (18 cm)

LIGHT SOURCE:

LED / 1 x 30W / 1130 mA / 2851 lm / 110-277V

CODE -B8ER0178

DIMENSIONS:

Diameter - Ø: 7.9" (20 cm)
Height - H: 9" (23 cm)

LIGHT SOURCE:

LED / 1 x 48W / 216 mA / 4482 lm / 110-277V

2 CCT OPTIONS:

-K30 3000K
-CUS Custom on request*

3 BEAM ANGLE:

-B57-15 15°
-B57-25 25°
-B57-36 36°
-B57-60 60°

4 FINISH OPTIONS:

-KAP7008 Sanded Bronze
-KAP7037 Sanded Dark Gray
-RAL 9005 Sanded Black
-RAL9003 Sanded White

5 ACCESSORIES: (optional)

-Mh072 Honeycomb Louver  -B8EK0174

-Mh066 Honeycomb Louver  -B8ER0178

sales@gordonbullard.com
www.bullardoutdoor.com
1-877-964-4646



991 South Gull Lake Dr
Richland, MI 49083
USA

FIXTURE TYPE: _____

PROJECT NAME: _____

NOTES:



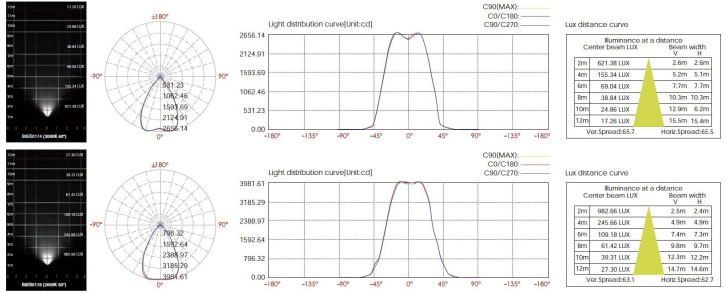
HOW TO ORDER:

CODE:

Example:
 CODE: BO-KLS-KPG-CL-XXX-XXX-XXX-XXX-XXX-XX

BO-KLS-KPG-CL-
 B8EK0174K-K30-B57-15-
 KAP7008-Mh072

6 PHOTOMETRIC INFO:



7 FEATURES:



sales@gordonbullard.com
 www.bullardoutdoor.com
 1-877-964-4646



991 South Gull Lake Dr
 Richland, MI 49083
 USA