

# ORBIX



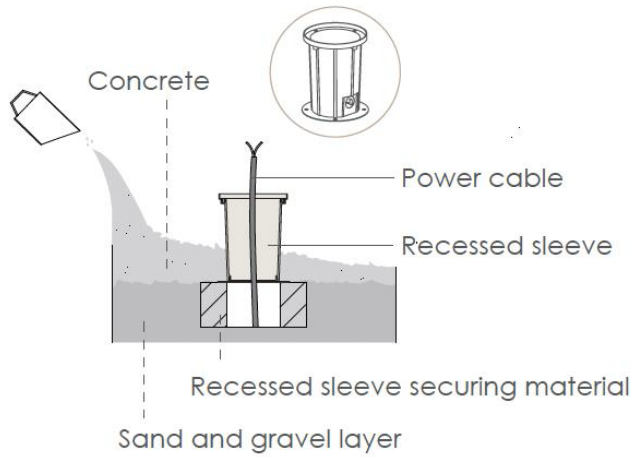
Data Sheet:

Input Voltage (V): 110-277

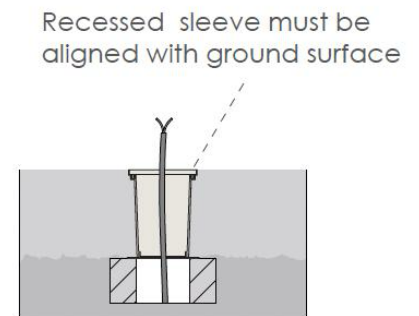
IK 08

**3. Installation steps**

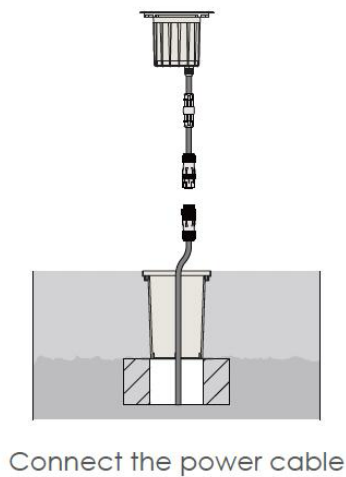
Step 1



Step 2



Step 3



Step 4

