



FIXTURE TYPE: _____

PROJECT NAME: _____



GENERAL INFORMATION:

The VIZO Recessed Wall Luminaire is a high-quality LED fixture designed for stair and pathway lighting. Constructed from die-cast powder-coated aluminum, it combines strength and style with a UV-stable, fireproof PC lens for consistent illumination. Operating on 110–277V, VIZO is rated IP65 for weather resistance and IK10 for impact protection, with an IP67 copper and nickel-coated cable gland ensuring durability. Featuring a stainless steel recessed sleeve, it's available in Sanded Dark Gray, Sanded Black, and Sanded Silver Gray finishes, offering reliable performance and refined design for modern architectural spaces.

FIXTURE TYPE:

Recessed Wall Luminaires - Stair/Pathway

LIGHTING:

LED

LED

VOLTAGE:

110-277V



MATERIAL:

12# Die-casting powder coated aluminum

LENS:

UVstop & Fireproof PC

CABLE GLAND:

IP67 Copper and nicked coated

RECESSED SLEEVE:

Stainless steel 178#

IP RATING:

IP 65

IP65

IK RATING:

IK 10

FINISHING:

Sanded Dark Gray

Sanded Black

Sanded Silver Gray

sales@gordonbullard.com

www.bullardoutdoor.com

1-877-964-4646



991 South Gull Lake Dr

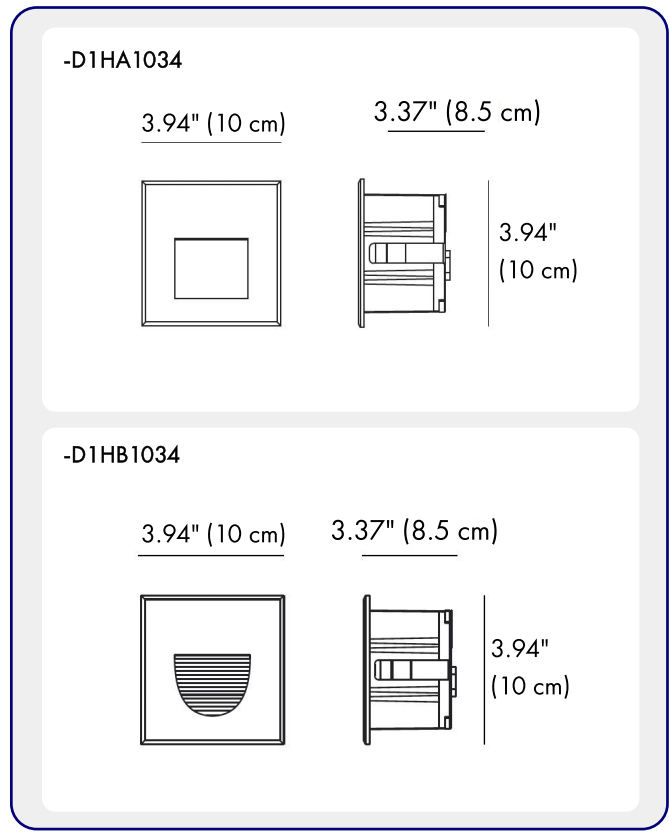
Richland, MI 49083

USA

FIXTURE TYPE: _____

PROJECT NAME: _____

NOTES:



HOW TO ORDER: _____ **CODE:** _____

Example:
CODE: BO-VZ-KPG-RWL-XXX-XXX-XXX-XXX-XXX-XX

BO-VZ-KPG-RWL-
D1HA1034-K30-
KAP7037-DIM

1 MODELS: _____

CODE -D1HA1034
DIMENSIONS:
Length - L: 3.94" (10 cm)
Height - H: 3.94" (10 cm)
Depth - P: 3.37" (8.5 cm)
LIGHT SOURCE:
LED / 10 x 0.5W / 110 mA / 124.6 lm / 110-277V / CRI 80

CODE -D1HB1034
DIMENSIONS:
Length - L: 3.94" (10 cm)
Height - H: 3.94" (10 cm)
Depth - P: 3.37" (8.5 cm)
LIGHT SOURCE:
LED / 10 x 0.5W / 230 mA / 130 lm / 110-277V / CRI 80

2 CCT OPTIONS: _____

-K30 3000K
-CUS Custom on request*

3 FINISH OPTIONS: _____

-KAP7037 Sanded Dark Gray
-RAL 9005 Sanded Black
-RAL9022 Sanded Silver Gray

4 DIMMING OPTIONS: _____

-DIM 1-10V
-PWM Pulse Width Modulation
-DALI DALI (Digital Addressable Lighting Interface)

sales@gordonbullard.com
www.bullardoutdoor.com
1-877-964-4646



991 South Gull Lake Dr
Richland, MI 49083
USA

FIXTURE TYPE: _____

PROJECT NAME: _____

NOTES:



HOW TO ORDER:

CODE:

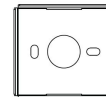
Example:
CODE: BO-GL-KPG-RWL-XXX-XXX-XXX-XXX-XXX-XX

BO-VZ-KPG-RWL-
D1HA1034-K30-
KAP7037-DIM

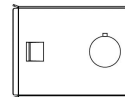
5 RECESSED SLEEVE: (included)



2.6" (2.66")



3.3" (8.5 cm)



2.55"
(6.55 cm)

092#

6 FEATURES:

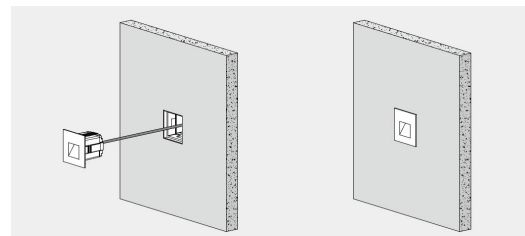


• Front cover without screws

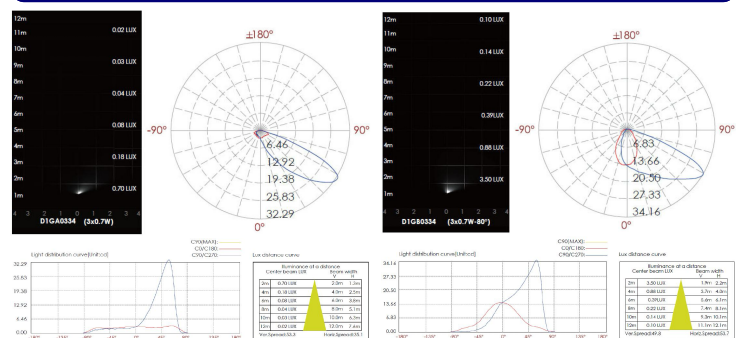


• Use the high-strength clips for fixation.
(please refer remark 1)

7 DIAGRAM OF INSTRUCTION:



8 PHOTOMETRIC INFO:



sales@gordonbullard.com
www.bullardoutdoor.com
1-877-964-4646



991 South Gull Lake Dr
Richland, MI 49083
USA